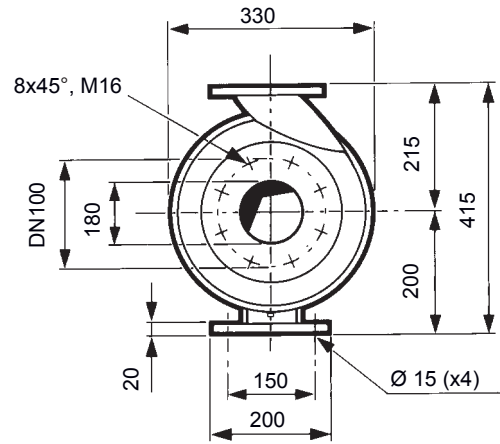
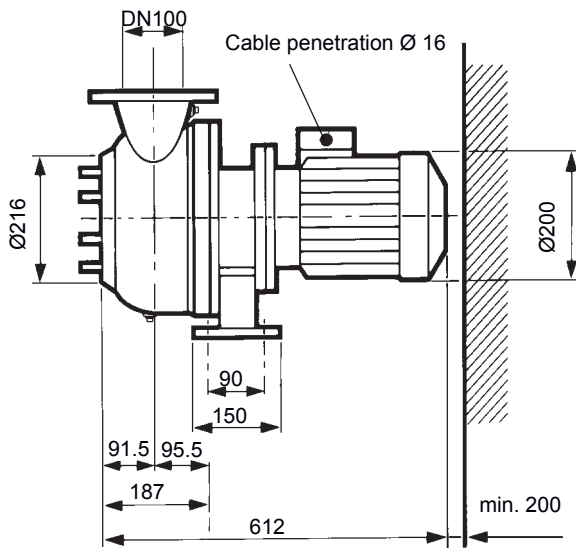
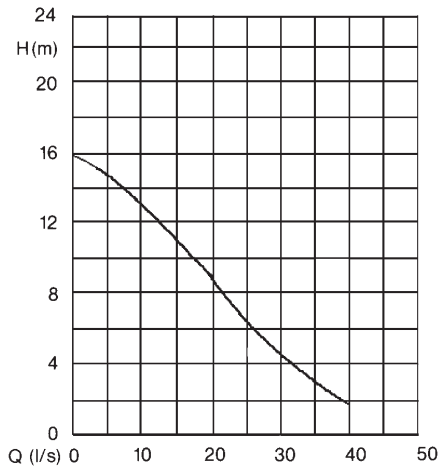


6540371 PUMP SE 044A 3 X 230V 60 HZ  
 6540370 PUMP SE 044A 3 X 460V 60 HZ  
 6540381 PUMP SE 044A 3 X 690V 60 HZ



**Capacity**



**Electrical data**

Evac P/N	Nominal Power	Voltage	Frequency	Nominal current	RPM	Protection	Insulation	Impeller Diameter
6540371	4.8 kW	230 V	60 Hz	18.0 A	1730	IP55	F	Ø 210 mm
6540370	4.8 kW	460 V	60 Hz	9.0 A	1730	IP55	F	Ø 210 mm
6540381	4.8 kW	690 V	60 Hz	6.0 A	1730	IP55	F	Ø 205 mm

**Operating data**

Ambient temperature: +45°C

**Materials**

Pump casing and sealing housing: Cast iron EN-GJL-200 SFS-EN 1561  
 Impeller: Ductile iron EN-GJS-500 SFS-EN 1563  
 Shaft: Stainless steel SIS 2324  
 Nuts, screws, and impeller key: Stainless steel SIS 2333  
 Mechanical seals: Fluoric rubber (VITON), Silicon carbide coated carbon, Stainless steel SIS 2343

**Shipping data**

Net weight: 84 kg