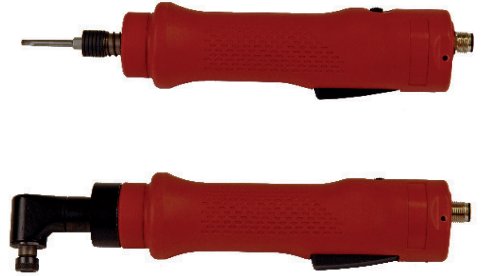




SLC Low voltage screwdrivers

SLC030-L1200-C4Q	6151655000
SLC100-L600-C4Q	6151654660
SLC150-L320-C4Q	6151654670
SLC030-L1200-C90A4H	6151654780
SLC100-L600-C90A4H	6151654790









WARNING



(EN)	WARNING Read all safety warnings (including the ones of the separately provided safety instructions n° 6159930690) and all instructions. Failure to follow the warnings and instructions may result in electric shock, fire and/or serious injury. Save all warnings and instructions for future reference.	 10
(FR)	AVERTISSEMENT Lire l'ensemble des mises en garde de sécurité (y compris celles sur la notice de sécurité n° 6159930690 fournie à part) ainsi que l'ensemble des consignes. Le non-respect des mises en garde et des consignes peut entraîner un choc électrique, un incendie ou des blessures graves. Conserver l'ensemble des mises en garde et consignes pour pouvoir les consulter ultérieurement.	 12
(ES)	ADVERTENCIA Lea todas las advertencias de seguridad (incluyendo las contenidas en las instrucciones de seguridad n° 6159930690 suministradas por separado) y las instrucciones. El incumplimiento de las instrucciones y advertencias de seguridad puede producir descargas eléctricas, incendios y/o lesiones personales graves. Guarde todas las instrucciones y advertencias para futuras consultas.	 14
(DE)	WARNING Alle Sicherheitshinweise (einschließlich der separat bereitgestellten Sicherheitsvorschriften Nr. 6159930690) und alle Anweisungen lesen. Eine Nichtbeachtung der Hinweise und Anweisungen kann zu Stromschlägen, Bränden und/oder schweren Personenschäden führen. Bewahren Sie alle Warnhinweise und Anweisungen zur künftigen Verwendung auf.	 16
(IT)	AVVERTENZA Leggere tutti gli avvisi di sicurezza (inclusi quelli indicati sulle istruzioni di sicurezza n. 6159930690 fornite separatamente) e tutte le indicazioni di sicurezza. Il mancato rispetto degli avvisi e delle istruzioni può provocare scosse elettriche, incendi e/o gravi lesioni. Conservare tutti gli avvisi e le istruzioni per consultazioni future.	 18

PT	ALERTA Leia todas as instruções e avisos de segurança (inclusive as que são fornecidas separadamente, n° 6159930690). A falha em seguir os avisos e instruções pode resultar em choque elétrico, incêndio e/ou lesão grave. Guarde todos os alertas e instruções para referência futura.	 20
FI	VAROITUS Lue kaikki turvallisuusvaroitukset (mukaan lukien erikseen painetut turvallisuusohjeet tiedotteessa nro 6159930690) ja kaikki ohjeet. Varoitusten ja ohjeiden noudattamatta jättäminen voi johtaa sähköiskuun, tulipaloon ja/tai vakavaan loukkaantumiseen. Säilytä kaikki varoitukset ja ohjeet myöhempää tarvetta varten.	 22
SV	VARNING Läs alla säkerhetsvarningar (inklusive dem i de de separata, medföljande säkerhetsinstruktionerna nr. 6159930690) och alla instruktioner. Underlåtenhet att följa alla varningar och instruktioner kan leda till en elektrisk stöt, eldsvåda och/eller svåra personskador. Spara alla varningar och instruktioner för framtida bruk.	 24
NO	ADVARSEL Les alle sikkerhetsadvarsler (inkludert de i de separate medfølgende sikkerhetsanvisningene nr. 6159930690) og alle instruksjoner. Om man ikke følger advarslene eller anvisningene, kan det føre til elektrisk støt, brann og/eller alvorlige personskader. Ta vare på alle advarsler og anvisninger for fremtidig bruk.	 26
DA	ADVARSEL Læs alle sikkerhedsadvarsler (også dem i den separate sikkerhedsanvisning nr. 6159930690) og alle anvisninger. Hvis disse advarsler og anvisninger ikke følges, kan det medføre elektrisk stød, brand og/eller alvorlig tilskadekomst. Gem alle advarsler og anvisninger til senere brug.	 28
NL	WAARSCHUWING Lees alle veiligheidswaarschuwingen (inclusief de waarschuwingen die afzonderlijk worden verstrekt in de veiligheidsinstructies met onderdeelnummer 6159930690) en alle overige instructies. Indien u de de waarschuwingen en de instructies niet opvolgt, kan dit leiden tot een elektrische schok, brand en/of ernstig lichamelijk letsel. Bewaar alle waarschuwingen en instructies, zodat u ze op en later tijdstip kunt raadplegen.	 30
EL	ΠΡΟΕΙΔΟΠΟΙΗΣΗ Διαβάστε όλες τις προειδοποιήσεις ασφαλείας (συμπεριλαμβανομένων εκείνων των ξεχωριστά παρεχόμενων οδηγιών ασφαλείας αρ. 6159930690) και όλες τις οδηγίες. Σε περίπτωση που δεν ακολουθήσετε τις προειδοποιήσεις και τις οδηγίες ενδέχεται να προκληθεί ηλεκτροπληξία, πυρκαγιά ή/ και σοβαρός τραυματισμός. Φυλάξτε όλες τις προειδοποιήσεις και τις οδηγίες για να ανατρέξετε μελλοντικά σε αυτές.	 32
ZH	警告 阅读所有安全警告 (包括那些单独提供的安全说明 n° 6159930690) 和所有说明。未能遵守这些警告和说明可能会导致触电、火灾和/或严重伤害。 妥善保存所有警告和说明, 以备将来参考。	 34
HU	FIGYELEM Olvassa el az összes biztonsági (beleértve a különálló, n° 6159930690 számú biztonsági útmutató utasításait) és az összes használati utasítást. A figyelmeztetések és utasítások figyelmen kívül hagyása áramütést, tűzveszélyt és/vagy súlyos személyi sérülést okozhat. Olvassa el és őrizze meg az összes figyelmeztetést és utasítást későbbi hivatkozásra.	 36
LV	BRĪDINĀJUMS Izlasiet visus drošības brīdinājumus (tostarp tos, kas atsevišķi sniegti instrukcijā nr. 6159930690) un visus norādījumus. Neievērojot brīdinājumus un norādījumus, varat izraisīt strāvas triecienu, ugunsgrēku un/vai smagas traumas. Saglabājiet visus brīdinājumus un norādījumus, lai varētu tajos ieskatīties arī turpmāk.	 38

PL	OSTRZEŻENIE Należy przeczytać wszystkie ostrzeżenia dotyczące bezpieczeństwa (łącznie z odrębnymi instrukcjami bezpieczeństwa nr 6159930690) oraz wszystkie instrukcje. Nieprzestrzeganie ostrzeżeń i instrukcji może spowodować porażenie prądem elektrycznym, pożar i/lub poważne obrażenia. Wszystkie ostrzeżenia i instrukcje należy zachować do przyszłego wykorzystania.	 40
CZ	VÝSTRAHA Přečtěte si veškerá bezpečnostní varování (včetně varování uvedených v dodaných bezpečnostních pokynech č. 6159930690) a veškeré další pokyny. Nedodržení varování a pokynů může mít za následek úraz elektrickým proudem, požár anebo vážný úraz. Ušchovejte veškeré texty varování a pokynů i pro budoucí potřebu.	 42
SK	VAROVANIE Prečítajte si všetky bezpečnostné varovania (vrátane varovaní, ktoré sa nachádzajú samostatne v bezpečnostných pokynoch č. 6159930690) a všetky pokyny. Nedodržanie varovaní a pokynov môže spôsobiť úder elektrickým prúdom, požiar a/alebo vážne zranenie. Všetky varovania a pokyny si odložte pre budúce nahliadnutie.	 44
SL	OPOZORILO Preberite vsa varnostna opozorila (tudi tista v ločenih varnostnih navodilih št: 6159930690) in navodila. Zaradi neupoštevanja opozoril in navodil lahko pride do električnega udara, požara in/ali hudih poškodb. Vsa opozorila in navodila shranite za morebitno poznejšo uporabo.	 46
LT	ĮSPĖJIMAS Perskaitykite visus saugos įspėjimus (įskaitant ir pateikiamus atskirose saugos instrukcijos Nr. 6159930690) bei visas instrukcijas. Jei nesilaikysite įspėjimų ir instrukcijų, gali kilti elektros smūgis, gaisras ir (arba) galimi rimti sužalojimai. Išsaugokite visus įspėjimus ir nurodymus, kad prirėikus vėliau galėtumėte pasiskaityti.	 48
RU	ПРЕДУПРЕЖДЕНИЕ Прочитайте все предупреждения о безопасности (включая отдельно предоставленные указания по безопасности № 6159930690) и все инструкции. Несоблюдение данных предупреждений и инструкций может привести к поражению электрическим током, пожару и/или серьезной травме. Сохраните все предупреждения и инструкции для справки на будущее.	 50

Find more information and your Desoutter contacts on:

www.desouttertools.com

DATA



Model	Part number	Output	Suitable Controller	Speed range	Weight	
				rpm	kg	lb
SLC030-L1200-C4Q	6151655000	Hex 1/4"	ESP C LT ESP CA LT	400-1200	0.5	1.1
SLC100-L600-C4Q	6151654660	Hex 1/4"	ESP C LT ESP CA LT	130 - 400	0.5	1.1
		Hex 1/4"	ESP C ESP CA	200 - 600	0.5	1.1
SLC150-L320-C4Q	6151654670	Hex 1/4"	ESP C LT ESP CA LT	70 - 220	0.5	1.1
		Hex 1/4"	ESP C ESP CA	100 - 320	0.5	1.1

Model	Part number	Torque Range Soft joint (Nm)		Torque Range Hard joint (Nm)		Torque Range Soft joint (ft.lb)		Torque Range Hard joint (ft.lb)	
		min	max	min	max	min	max	min	max
SLC030-L1200-C4Q	6151655000	0.5	2	0.6	3	0.37	1.48	0.44	2.21
SLC100-L600-C4Q	6151654660	0.5	4	0.8	6	0.37	2.95	0.59	4.43
		2	8	2	10	1.48	5.90	1.48	7.38
SLC150-L320-C4Q	6151654670	0.5	6	1.5	7	0.37	4.43	1.11	5.16
		2	12	2	15	1.48	8.85	1.48	11.06

DATA



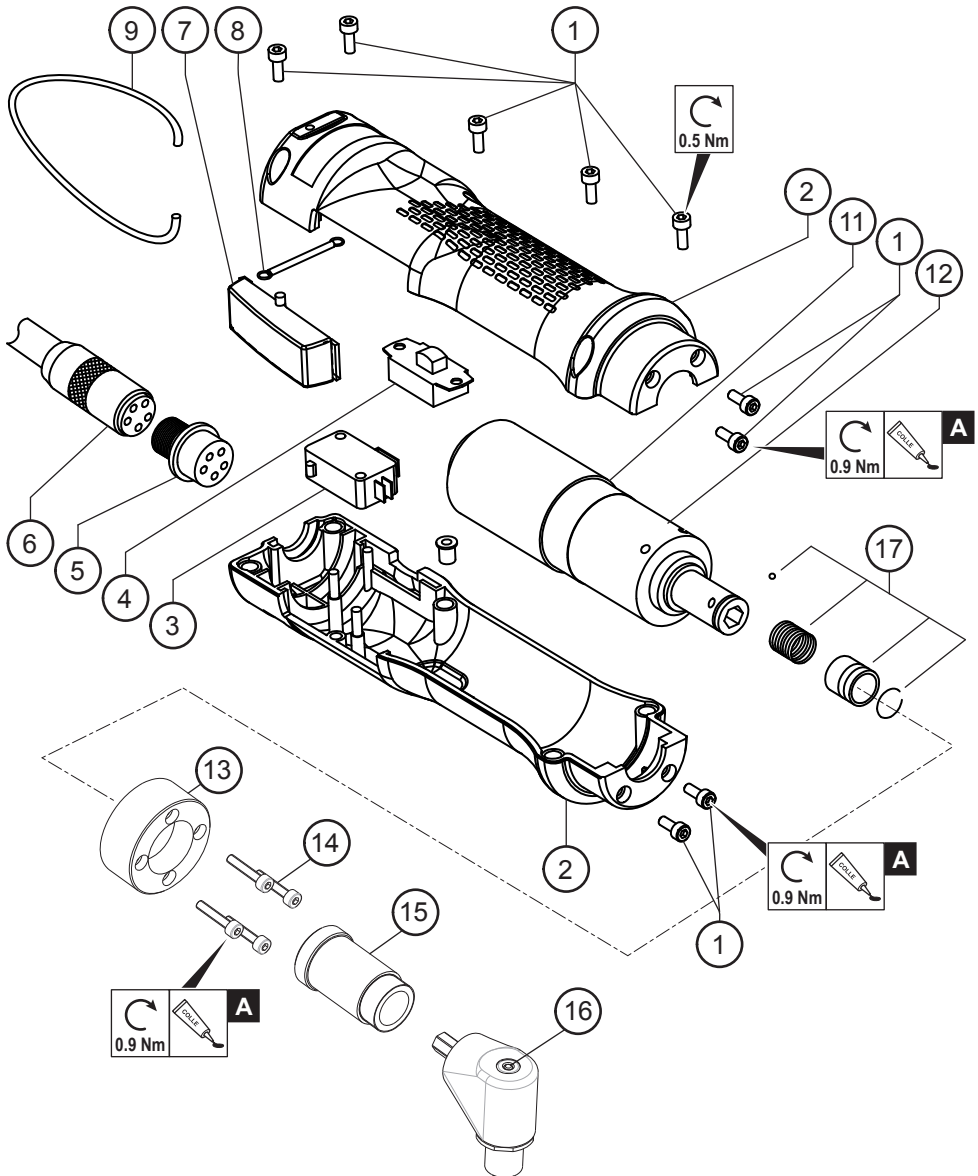
Model	Part number	Output	Suitable Controller	Speed range	Weight	
				rpm	kg	lb
SLC030-L1200-C90A4HQ	6151654780	Hex 1/4"	ESP C LT ESP CA LT	400-1200	0.7	1.5
SLC100-L600-C 90A4H	6151654790	Hex 1/4"	ESP C LT ESP CA LT	130 - 400	0.7	1.5
		Hex 1/4"	ESP C ESP CA	200 - 600	0.7	1.5

Model	Part number	Torque Range Soft joint (Nm)		Torque Range Hard joint (Nm)		Torque Range Soft joint (ft.lb)		Torque Range Hard joint (ft.lb)	
		min	max	min	max	min	max	min	max
SLC030-L1200-C90A4HQ	6151654780	0.5	2	0.6	3	0.37	1.48	0.44	2.21
SLC100-L600-C 90A4H	6151654790	0.5	4	0.8	6	0.37	2.95	0.59	4.43
		2	8	2	8	1.48	5.90	1.48	5.90

Model	Suitable Controller	Joint type	Torque (N.m)																	
			0.5	0.6	0.8	1	1.5	2	3	4	5	6	7	8	9	10	11	12	13	14
SLC030-L1200-C4Q	ESP C LT	Soft																		
	ESP CA LT	Hard																		
SLC100-L600-C4Q	ESP C LT	Soft																		
	ESP CA LT	Hard																		
	ESP C	Soft																		
SLC150-L320-C4Q	ESP CA	Hard																		
	ESP C LT	Soft																		
	ESP CA LT	Hard																		
SLC030-L1200-C4Q	ESP C	Soft																		
	ESP CA	Hard																		
SLC100-L600-C4Q	ESP C LT	Soft																		
	ESP CA LT	Hard																		
SLC100-L600-C4Q	ESP C	Soft																		
	ESP CA	Hard																		

GENERAL VIEW

A Loctite 641

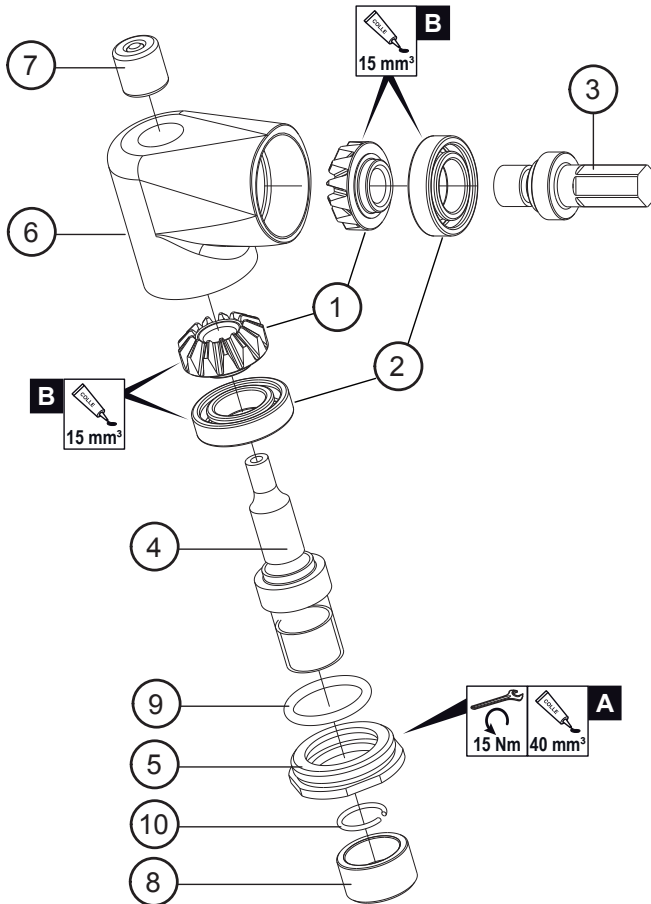


Item	Description	Part no.	Qty				
			SLC030-L1200-C4Q	SLC100-L600-C4Q	SLC150-L320-C4Q	SLC030-L1200-C90A4H	SLC100-L600-C90A4H
1	Screw	6153602360	9	9	9	9	9
2	Housing in-line - Right + Left	6153982000	1	1	1	1	1
3	Start switch	6153602240	1	1	1		1
4	Reverse switch	6153602210	1	1	1	1	1
5	5 pin conector /D	6153602290	1	1	1	1	1
6	Cable	6153602230	1	1	1	1	1
7	Start lever	6153602560	1	1	1	1	1
8	Spring lever	6153602310	1	1	1	1	1
9	Bail hook	6153602220	1	1	1	1	1
11	Motor SLC100	6153602390		1			1
11	Motor SLC150-SLC030	6153602370	1		1	1	
12	Gearbox SLC030	6153604670	1			1	
12	Gearbox SLC100	6153604680		1			1
12	Gearbox SLC150	6153604690			1		
13	Flange	6155671250				1	1
14	Screw M3x18	6156101230				4	4
15	Shaft housing	6155653760				1	1
16	1/4"hex angle head complete	411503				1	1
17	SLC quick change kit	6153604660	1	1	1	1	1
	Ball	-	1	1	1	1	1
	Spring output	-	1	1	1	1	1
	Sleeve	-	1	1	1	1	1
	Circlip	-	1	1	1	1	1

1/4" HEX ANGLE HEAD COMPLETE

A Loctite 243

B Loctite 648



Item	Description	Part no.	SLC030-L1200-C4Q		SLC100-L600-C4Q		High	Medium	Low
			Qty						
1/4" hex angle head complete kit		411503	1	1			X		
1	Bevel gear wheel	2050515223	2	2			X		
2	Ball bearing	2050515213	2	2			X		
3	Input shaft	-	1	1					
4	Output shaft	-	1	1					
5	Clamp ring	2050515273	1	1			X		
6	Angle head housing	566.532	1	1					X
7	Needle bearing	2050515243	1	1			X		
8	Nut	2050535343	1	1				X	
9	O'ring	2050535333						X	
10	Locking ring	2050535353						X	

Original instructions.

© COPYRIGHT 2015, DESOUTTER HP2 7SJ UK

All rights reserved. Any unauthorized use or copying of the contents or part thereof is prohibited. This applies in particular to trademarks, model denominations, part numbers and drawings. Use only authorized parts. Any damage or malfunction caused by the use of unauthorised parts is not covered by Warranty or Product Liability.

STATEMENT OF USE

Tool (class I) suitable for industrial environment only.

It shall be used for tightening or loosening joints in wood, metal or plastic material.

No other use permitted.

For professional use only.

DATA

(See page 4).

Noise level: < 70 dB(A) (EN 60 745).

Vibration level: < 2.5 m/s² (EN 60 745).

Declaration of noise and vibration emission

All values are current as of the date of this publication. For the latest information please visit desouttertools.com.

These declared values were obtained by laboratory type testing in accordance with the stated standards and are suitable for comparison with the declared values of other tools tested in accordance with the same standards. These declared values are not adequate for use in risk assessments and values measured in individual work places may be higher. The actual exposure values and risk of harm experienced by an individual user are unique and depend upon the way the user works, the workpiece and the workstation design, as well upon the exposure time and the physical condition of the user.

We, Desoutter, cannot be held liable for the consequences of using the declared values, instead of values reflecting the actual exposure, in an individual risk assessment in a work place situation over which we have no control.

This tool may cause hand-arm vibration syndrome if its use is not adequately managed. An EU guide to managing hand-arm vibration can be found at http://www.pneurop.eu/uploads/documents/pdf/PN3-02-NV_Declaration_info_sheet_0111.pdf

We recommend a programme of health surveillance to detect early symptoms which may relate to noise or vibration exposure, so that management procedures can be modified to help prevent future impairment.

Additional Vibration Information

For making rough estimates of daily vibration exposures, useful information may be found in CEN/TR 15350: 2006, "Mechanical vibration – Guideline for the assessment of exposure to hand-transmitted vibration using available information including that provided by manufacturers of machinery."

OPERATING MODE

The tool can be handheld or used as fixed spindle on a tool.

Handheld tool

- Fit the tool with a suitable fastening accessory, then connect it to the power supply by means of the controller.
- Hold the tool by means of the handle and apply to the fastener to be tightened.
- Press the lever to start the tool.
- The tool stops when the preset torque is reached.
- For each second of operation, the motor needs to rest for 3 seconds.
- Failure to do so may result in motor overheating and eventually damage.
- That will be considered as a misuse and the warranty will not apply.

As the reaction force increases in proportion to the tightening torque, make sure that the tool is in perfect working order and the controller is programmed correctly, to reduce the risk of injury to the operator as a result of unexpected behaviour of the tool.

Control and software

Power supply by means of ESP C LT, ESP C, ESP CA LT, ESP CA depending on the model.

LUBRICATION



Do not apply too much grease on gears or bearings; a thin coat shall be sufficient. Apply a minimum quantity of grease for easier identification of components when assembling.

TOOLS

- No specific tools.

ASSEMBLING AND DISASSEMBLING

Follow standard engineering practices and refer to figure for the mounting of component subassemblies.

MAINTENANCE INSTRUCTIONS

Maintenance should be performed by qualified personnel only.

- Prior to any maintenance task: disconnect the tool.
- When disassembling / reassembling the tool, take the following precautions:
 - Check that the controller is switched off.
 - Disconnect the cable.



When disposing of components, lubricants, etc ... ensure that the relevant safety procedures are carried out.

According to Directive 2002/96/CE concerning Waste Electrical and Electronic Equipment (WEEE), this product must be recycled.

Please contact your "Customer Centre" or consult the website "www.cp.com" to find out where you can recycle this product.

DESOUTTER WARRANTY

1. This Desoutter product is warranted against defective workmanship or materials, for a maximum period of 12 months following the date of purchase from Desoutter or its agents, provided that its usage is limited to single shift operation throughout that period. If the usage rate exceeds that of single shift operation, the warranty period shall be reduced on a prorata basis.
2. If, during the warranty period, the product appears to be defective in workmanship or materials, it should be returned to Desoutter or its agents, together with a short description of the alleged defect. Desoutter shall, at its sole discretion, arrange to repair or replace free of charge such items as are deemed faulty by reason of defective workmanship or materials.
3. This warranty ceases to apply to products which have been abused, misused or modified, or which have been repaired using other than genuine Desoutter spare parts or by someone other than Desoutter or its authorized service agents.
4. Should Desoutter incur any expense correcting a defect resulting from abuse, misuse, accidental damage or unauthorized modification, they will require that such expense shall be defrayed in full.
5. Desoutter accepts no claim for labour or other expenditure made upon defective products.
6. Any direct, incidental or consequential damages whatsoever arising from any defect are expressly excluded.
7. This warranty is given in lieu of all other warranties, or conditions, expressed or implied, as to the quality, merchantability or fitness for any particular purpose.
8. No one, whether an agent, servant or employee of Desoutter, is authorized to add to or modify the terms of this limited warranty in any way.

Instructions originales.

© COPYRIGHT 2015, DESOUTTER HP2 7SJ UK

Tous droits réservés. Tout usage illicite ou copie totale ou partielle sont interdits. Ceci s'applique plus particulièrement aux marques déposées, dénominations de modèles, numéros de pièces et schémas. Utiliser exclusivement les pièces autorisées. Tout dommage ou mauvais fonctionnement causé par l'utilisation d'une pièce non autorisée ne sera pas couvert par la garantie du produit et le fabricant ne sera pas responsable.

DECLARATION D'UTILISATION

Outil (classe I) approprié à l'environnement industriel seulement.

Il ne doit être utilisé que pour le serrage ou desserrage des assemblages vissés dans le bois, le métal ou le plastique.

Aucune autre utilisation n'est admise.

Réservé à un usage professionnel.

DONNÉES

(Voir page 4).

Niveau de bruit : < 70 dB(A) (EN 60 745).

Niveau de vibration : < 2,5 m/s² (EN 60 745).

Niveau de bruit et émission de vibrations déclarés

Toutes les valeurs sont celles connues à la date de publication du présent document. Pour obtenir les renseignements les plus récents, visiter le www.desouttertools.com

Ces valeurs ont été obtenues par des essais en laboratoire conformément aux normes indiquées; elles ne peuvent pas être utilisées pour l'évaluation des risques. Les valeurs mesurées sur les lieux de travail individuels peuvent être supérieures aux valeurs indiquées. Les valeurs d'exposition et le risque de préjudice réels dépendent de l'utilisateur et de sa condition physique, de la méthode de travail utilisée, de la pièce de travail, de la conception de la station de travail et du temps d'exposition. Desoutter ne saurait être tenue responsable des conséquences de l'utilisation des valeurs ci-dessus au lieu des valeurs représentatives de l'exposition réelle, dans les études de risques individuelles sur les lieux de travail qui échappent à notre contrôle. Cet outil peut provoquer des Troubles Musculo-Squelettiques, si son utilisation n'est pas correcte. Un guide communautaire de la prévention des TMS peut être trouvé sur le site : http://www.pneurop.eu/uploads/documents/pdf/PN3-02-NV_Declaration_info_sheet_0111.pdf

Nous recommandons un programme de surveillance de la santé pour détecter les premiers symptômes se rapportant au bruit ou à l'exposition aux vibrations, et de modifier les conditions travail pour aider à prévenir les troubles à venir.

Autres informations concernant les vibrations

Pour réaliser des estimations approximatives de l'exposition quotidienne aux vibrations, la norme CEN/TR 15350 (2006) peut être une source d'information utile ; elle s'intitule « Vibrations mécaniques - Guide pour l'évaluation de l'exposition aux vibrations transmises à la main à partir de l'information disponible, y compris l'information fournie par les fabricants de machines ».

MODE D'UTILISATION

L'outil peut être portatif ou peut être utilisé comme broche fixe sur une machine.

Outil portatif

- Équiper l'outil d'un accessoire de vissage approprié puis le relier au secteur par le biais du contrôleur.
- Maintenir l'outil par la poignée et l'appliquer à la fixation à serrer.
- Appuyer sur le levier pour démarrer.
- L'outil s'arrête lorsque le couple programmé est atteint.
- Chaque utilisation doit être suivie d'un temps de repos égal à trois fois la durée d'utilisation.
- Le non-respect de cette consigne peut provoquer une surchauffe du moteur, voire une panne.
- Ce cas de mauvaise utilisation de l'outil entraînera la nullité de la garantie.

Comme la force de réaction augmente proportionnellement au couple de serrage, assurez-vous que l'outil est en parfait état de fonctionnement et que l'unité de commande est correctement programmée, afin d'éviter tout comportement inattendu de l'outil, susceptible de blesser l'opérateur.

Contrôle et logiciel

Alimentation par contrôleur ESP C LT, ESP C, ESP CA LT ou ESP CA selon le modèle d'outil.

LUBRIFICATION



Ne pas mettre trop de graisse sur les engrenages ou paliers; une couche fine suffit.

N'utiliser qu'un minimum de graisse pour repérer les composants lors de l'assemblage.

OUTILLAGE

- Pas d'outillage spécifique.

ASSEMBLAGE ET DÉMONTAGE

Suivre les pratiques normales d'ingénierie et, en consultant l'illustration, procéder au montage des sous-assemblages de composants.

INSTRUCTIONS D'ENTRETIEN

La maintenance doit être assurée par du personnel qualifié uniquement.

- Avant toute opération de maintenance, débrancher l'outil.
- Lors du démontage remontage de l'outil, prendre les précautions suivantes :
 - Vérifier que le coffret est hors tension.
 - Déconnecter le câble.



Pour l'élimination des composants, lubrifiants, etc... assurez vous que les procédures de sécurité soient respectées.

Conformément à la Directive 2002/96/CE relative aux déchets d'équipements électriques et électroniques (WEEE), ce produit doit être recyclé.

Contactez le «Service Client» ou consultez le site «www.cp.com» pour connaître les lieux de collecte destinés au recyclage dudit produit.

GARANTIE DESOUTTER

1. Ce produit Desoutter est garanti contre les vices de main d'oeuvre ou de fabrication, pendant une période maximum de 12 mois à compter de la date d'achat auprès de Desoutter ou de ses agents, dans la mesure où son usage est limité à une seule équipe de travail pendant cette période. Si le taux d'utilisation excède celui d'une seule équipe de travail, la période de garantie sera réduite proportionnellement.
2. Si, pendant la période de garantie, le produit semble présenter des vices de main d'oeuvre ou de fabrication, il doit être renvoyé à Desoutter ou à ses agents avec une description courte du défaut constaté. Desoutter, à sa seule discrétion, organisera la réparation ou le remplacement gratuit des articles jugés défectueux pour cause de vice de main d'oeuvre ou de fabrication.
3. Cette garantie sera annulée s'il y a eu abus, mauvaise utilisation ou modification des produits, ou s'ils ont été réparés en utilisant des pièces de rechange autres que celles prescrites par Desoutter ou par une personne autre que Desoutter ou l'un de ses agents agréés.
4. Au cas où Desoutter encourrait des dépenses pour rectifier un défaut résultant d'abus, de mauvaise utilisation, de détérioration accidentelle ou de modification non autorisée, ces dépenses seront à la charge totale du client.
5. Desoutter n'accepte aucune réclamation en termes de main d'oeuvre ou d'autres dépenses effectuées sur les produits défectueux.
6. Toutes les détériorations directes, accidentelles ou indirectes, quelles qu'elles soient, provenant d'un défaut quelconque, sont expressément exclues.
7. Cette garantie remplace toutes les autres garanties ou conditions, expresses ou implicites, quant à la qualité, la commercialisation ou l'adéquation du produit pour un objectif particulier.
8. Personne, que ce soit un agent, un serviteur ou un employé de Desoutter, n'est autorisé à ajouter ou modifier d'une façon quelconque les termes de cette garantie limitée.

Instrucciones originales.

© COPYRIGHT 2015, DESOUTTER HP2 7SJ UK

Reservados todos los derechos. Está prohibido todo uso indebido o copia de este documento o parte del mismo. Esto se refiere especialmente a marcas comerciales, denominaciones de modelos, números de piezas y dibujos. Utilicen exclusivamente piezas de repuesto autorizadas. Cualquier daño o defecto de funcionamiento causado por el uso de piezas no autorizadas queda excluido de la garantía o responsabilidad del fabricante.

DECLARACIÓN DE USO

Herramienta (clase I) apropiada para un entorno industrial exclusivamente.

Sólo debe ser utilizada para el apriete o desapriete de los ensamblajes de madera, metal o plástico.

No se permite ningún otro uso.

Reservado para un uso profesional.

DATOS

(Véase página 4).

Nivel de ruido: < 70 dB(A) (EN 60 745).

Nivel de vibración: < 2,5 m/s² (EN 60 745).

Declaración de valores de ruido y vibración

Todos los valores son correctos en el momento de la publicación. Para conocer la última información, visite www.desouttertools.com. Estos valores declarados se obtuvieron en pruebas de laboratorio en cumplimiento con las normas establecidas y no son adecuados para utilizarse en evaluaciones de riesgos. Los valores medidos en lugares de trabajo individuales podrían ser más altos que los valores declarados. Los valores de exposición reales y el riesgo de peligro experimentado por un usuario individual son únicos y dependen del hábito de trabajo del usuario, la pieza en la que se está trabajando y el diseño de la estación de trabajo, además del tiempo de exposición y las condiciones físicas del usuario. Nosotros, Desoutter, no podemos aceptar responsabilidad por las consecuencias de utilizar los valores declarados en lugar de los valores que reflejan la exposición real en una evaluación de riesgo individual y en una situación de lugar de trabajo sobre los que no tenemos ningún control. Esta herramienta puede provocar síndrome de vibración. Si no se gestiona adecuadamente su utilización.

Encontrará una guía de la UE respecto a la gestión de vibraciones transmitidas al sistema manobrazo en la página http://www.pneurop.eu/uploads/documents/pdf/PN3-02-NV_Declaration_info_sheet_0111.pdf

Se recomienda mantener un programa de control sanitario de detección precoz de los síntomas relacionados con la exposición a vibraciones, con objeto de modificar los procedimientos de gestión y así evitar posibles discapacidades.

Información adicional sobre vibraciones

Para realizar estimaciones aproximadas de exposición diaria a las vibraciones, encontrará información muy útil en CEN/TR 15350: 2006, "Mechanical vibration – Guideline for the assessment of exposure to hand-transmitted vibration using available information including that provided by manufacturers of machinery." (Vibraciones mecánicas – Guía para evaluar la exposición a las vibraciones utilizando datos disponibles, entre los que se incluyen los proporcionados por los fabricantes de maquinaria).

MODO DE USO

La herramienta puede ser portátil o ser utilizada como husillo fijo en una máquina.

Herramienta portátil

- Equipen la herramienta con un accesorio de apriete adecuado y conéctenlo con la red por medio del controlador.
- Sujeten la herramienta por la empuñadura y aplíquenla en la fijación que quieren apretar.
- Apretar la palanca para arrancar.
- Al alcanzar el par programado la herramienta se para.
- Cada utilización ha de ir seguida por una fase de reposo cuya duración será tres veces superior al tiempo de utilización.
- El no respetar dicha consigna puede provocar un sobrecalentamiento del motor e incluso una avería.
- La utilización no conforme de la herramienta conlleva la nulidad de la garantía.

Como la fuerza de reacción va aumentando proporcionalmente al par de apriete, comprueben que la herramienta está en perfecto estado de funcionamiento y la unidad de mando está correctamente programada, para evitar cualquier comportamiento de la herramienta no deseado, que podría herir al operario.

Control y software

Alimentación por controlador ESP C LT, ESP C, ESP CA LT o ESP CA en función del modelo de herramienta.

LUBRIFICACIÓN



No pongan demasiada grasa en los engranajes o palieres; una fina capa es suficiente.

Utilicen un mínimo de grasa para verificar los puntos de coincidencia de los componentes durante el ensamblaje.

HERRAMIENTAS

- No existen herramientas específicas.

ENSAMBLAJE Y DESMONTAJE

Sigan los procesos normales de ingeniería y, conforme al dibujo, procedan al montaje de los subensamblajes de componentes.

INSTRUCCIONES DE MANTENIMIENTO

Las operaciones de mantenimiento las efectuará exclusivamente personal cualificado.

- Antes de cualquier operación de mantenimiento: desconecten la herramienta.
- Al desmontar y volver a montar la herramienta: tomen las siguientes precauciones:
 - Comprueben que el cofre está sin tensión.
 - Desconecten el cable.



Para la eliminación de los componentes, lubricantes, etc... comprueben que las normas de seguridad han sido respetadas.

En conformidad con la Directiva 2002/96/CE referente a los e-desechos de equipos eléctricos y electrónicos (WEEE), este producto ha de ser reciclado.

Póngase en contacto con el "Servicio de atención al Cliente" o consulte la página Web "www.cp.com" para conocer los lugares de recuperación y reciclaje de este tipo de producto.

GARANTÍA DESOUTTER

1. Este producto Desoutter se garantiza contra materiales o mano de obra defectuosos, durante un período máximo de 12 meses a partir de la fecha de compra ya sea a Desoutter o a cualquiera de sus agentes, siempre que se limite su uso a un solo turno de trabajo durante dicho período. Si el promedio de uso excede el de un turno de trabajo normal, se reducirá proporcionalmente el período de la garantía.
2. Si durante el período de garantía, el producto presenta algún defecto en cuanto a materiales o mano de obra, deberá ser devuelto a Desoutter o a cualquiera de sus agentes, junto con una breve descripción del defecto. A su sola discreción, Desoutter podrá decidir reparar o sustituir gratuitamente aquellos elementos para los que considere que hay un vicio de material o mano de obra.
3. La presente garantía no se aplica en caso de abuso, mal uso, modificación, o reparación con repuestos que no sean piezas auténticas Desoutter, o si han sido reoperados por personal ajeno a Desoutter o cualquiera de sus agentes autorizados.
4. Aquellos gastos a los que Desoutter tuviese que hacer frente para corregir un defecto debido al abuso, mal uso o modificación no autorizada, correrán íntegramente por cuenta del cliente.
5. Desoutter no acepta reclamación alguna en concepto de mano de obra u otros gastos efectuados en productos defectuosos.
6. Todos aquellos daños directos, accidentales o indirectos, sea cual sea su naturaleza, que resultasen de cualquier defecto serán expresamente excluidos.
7. Esta garantía sustituye a cualquier otra garantía, o condiciones, expresas o implícitas, referente a calidad, comercialización o adecuación del producto para un determinado objetivo.
8. Nadie, ya sea un agente, prestatario o empleado de Desoutter, está autorizado a añadir o modificar los términos de la presente garantía limitada.

Ursprüngliche Betriebsanleitung.

© COPYRIGHT 2015, DESOUTTER HP2 7SJ UK

Alle Rechte vorbehalten. Unbefugtes Verwenden oder Kopieren des Inhalts bzw. von Teilen des Inhalts ist verboten. Dies gilt insbesondere für Warenzeichen, Modellbezeichnungen, Teilenummern und Zeichnungen. Nur die zugelassenen Ersatzteile verwenden. Schäden oder Funktionsstörungen, die durch die Verwendung nicht zugelassener Ersatzteile entstehen, sind von der Garantieleistung und der Produkthaftung ausgeschlossen.

GEBRAUCHSANLEITUNG

Das Werkzeug (Klasse I) ist nur für den industriellen Einsatz bestimmt.

Es darf ausschließlich zum Anziehen und Lösen von Schraubverbindungen in Holz, Metall oder Kunststoff eingesetzt werden.

Kein anderer Gebrauch ist gestattet.

Nur für den industriellen Einsatz.

DATEN

(siehe Seite 4).

Geräuschpegel: < 70 dB(A) (EN 60 745).

Vibrationspegel: < 2,5 m/s² (EN 60 745).

Erklärung zu Geräuschemission und Vibration

Alle Werte sind zum Zeitpunkt dieser Veröffentlichung auf dem aktuellen Stand. Neueste Informationen finden Sie unter Die genannten Werte wurden durch Tests gemäß den angegebenen Normen unter Laborbedingungen ermittelt und sind nicht ausreichend für Risikoanalysen. Die tatsächlichen Meßwerte am Einsatzort können je nach Umgebung auch höher ausfallen. Die konkrete Belastung und das Gesundheitsrisiko des Benutzers sind von Person zu Person verschieden und hängen von den Arbeitsgewohnheiten, dem Werkstück und der Gestaltung des Arbeitsplatzes sowie von der Belastungsdauer und dem Gesundheitszustand des Benutzers ab. Wir, die Desoutter, haften nicht für die Folgen einer Anwendung der genannten Werte anstelle von Meßwerten der tatsächlichen Belastungswerte in einer Risikoanalyse für einen konkreten Arbeitsplatz, der sich unserer Einflußnahme entzieht. Dieses Werkzeug kann das Hand-Arm-Vibrations-Syndrom auslösen, sofern sein Gebrauch nicht in ausreichendem Maße geregelt wird. Ein EU-Leitfaden zur Regelung von Hand-Arm Vibrationen steht im Internet zur Verfügung: http://www.pneurop.eu/uploads/documents/pdf/PN3-02-NV_Declaration_info_sheet_0111.pdf

Wir empfehlen ein Programm zur Gesundheitsüberwachung, durch welches frühe Symptome erkannt werden können, welche auf die Vibrationsexposition zurückgeführt werden könnten, so dass die Abläufe der Maßnahmen daraufhin so geändert werden können, dass zukünftige Beeinträchtigungen vermieden werden.

Weitere Informationen über Vibrationen

Nützliche Informationen für überschlägige Schätzungen der täglichen Vibrationsexposition finden sich in CEN/TR 15350: 2006, "Mechanische Vibrationen – Richtlinie für die Bewertung der Hand-Arm-Vibrations-Exposition, unter Benutzung vorhandener Informationen, einschließlich der von den betreffenden Geräteherstellern zur Verfügung gestellten Informationen."

BEDIENUNGSANLEITUNG

Das Werkzeug kann handgeführt sein oder als stationäre Spindel bei einer Station eingesetzt werden.

Handgeführtes Werkzeug

- Das Werkzeug mit einem geeigneten Schraubzubehör ausrüsten und über die Steuerung am Netz anschließen.
- Das Werkzeug am Griff halten und an dem zu verschraubenden Teil anlegen.
- Drücken Sie den Hebel, um das Gerät zu starten.
- Das Gerät schaltet sich aus, sobald das programmierte Drehmoment erreicht ist.
- Nach jeder Benutzung muss das Gerät für die dreifache Zeit der Benutzung ausgeschaltet werden.
- Die Nichteinhaltung dieses Hinweises kann zu einer Überhitzung des Motors oder sogar einer Panne führen.
- Eine unsachgemäße Benutzung des Geräts führt zum Erlöschen der Garantie.

Die Reaktionskraft steigt mit dem Anziehmoment. Deshalb muss sichergestellt sein, dass das Werkzeug einwandfrei funktioniert und dass die Einheit richtig programmiert ist, um unerwartete Reaktionen des Werkzeugs, die den Bediener verletzen können, zu vermeiden.

Steuerung und Software

Stromzufuhr durch ESP C LT, ESP C, ESP CA LT oder ESP CA Steuerung je nach Gerätemodell.

SCHMIERUNG



Nicht zuviel Fett auf die Getriebe und Lager geben; eine Schicht reicht. Nur ein Mindestmaß an Fett benutzen, damit die Komponenten beim Zusammenbau erkennbar sind.

WERKZEUGE

- Keine besonderen Werkzeuge.

MONTAGE UND DEMONTAGE

Komponenten-Baugruppen der Abbildung entsprechend und unter Einhaltung der einschlägigen technischen Regeln montieren.

WARTUNGSVORKEHRUNGEN

Wartungseingriffe dürfen nur von qualifiziertem Personal vorgenommen werden.

- Vor Wartungsarbeiten das Werkzeug stets abschalten.
- Bei Demontage und Montage des Werkzeugs sind folgende Vorsichtsmaßregeln zu beachten :
 - Sicherstellen, daß die Steuerung spannungsfrei ist.
 - Das Kabel abtrennen.



Zur Entsorgung der Komponenten, Betriebsstoffe, etc. die einschlägigen Vorschriften beachten.

Gemäß der Richtlinie 2002/96/EG über Elektro- und Elektronik-Altgeräte (WEEE) muss dieses Produkt wiederverwertet werden.

Wenden Sie sich an Ihren Kundendienst oder gehen Sie auf die Website www.cp.com, um zu erfahren, wo es Sammelstellen für das Recycling des Produkts gibt.

DESOUTTER GARANTIE

1. Für dieses Desoutter-Produkt leisten wir auf Material- und Fertigungsfehler eine Gewährleistung von maximal 12 Monaten ab dem Datum des Kaufs bei der Firma Desoutter oder ihren Händlern, vorausgesetzt das Produkt wird während dieses Zeitraums ausschließlich im 1-Schicht-Betrieb eingesetzt. Wird das Produkt über den 1-Schicht-Betrieb hinaus eingesetzt, verkürzt sich die Garantiezeit entsprechend.
2. Treten während der Garantiezeit Mängel auf, die durch Material- oder Herstellungsfehler entstanden sein könnten, ist das Produkt mit einer kurzen Beschreibung des festgestellten Mangels an die Firma Desoutter oder ihren Händler zurückzuschicken. Die Firma Desoutter wird die fehlerhaften Teile bei Vorliegen eines Material- oder Herstellungsfehlers nach eigenem Ermessen entweder kostenlos reparieren oder ersetzen.
3. Die Garantie gilt nicht bei Missbrauch, unsachgemäßer Behandlung oder Veränderungen des Produktes. Weiterhin sind von der Garantie ausgeschlossen Schäden, die auf den Einsatz von anderen als Desoutter-Originalersatzteilen oder die Reparatur durch nicht Desoutter autorisierte Händler zurückzuführen sind.
4. Sollten Desoutter durch die Behebung eines Mangels, der durch Missbrauch, unsachgemäße Behandlung, zufällige Schäden oder willkürliche Veränderungen entstanden ist, Kosten entstehen, werden diese Kosten von Desoutter in voller Höhe in Rechnung gestellt.
5. Auf Erstattung durch Desoutter von Arbeitskosten und Aufwand im Zusammenhang mit fehlerhaften Produkten besteht kein Anspruch.
6. Eine Haftung für direkte, indirekte oder zufällige Folgeschäden ist ausdrücklich ausgeschlossen.
7. Die vorliegende Garantie ersetzt alle anderen expliziten oder impliziten Garantien bzw. Bedingungen hinsichtlich Qualität, Handelsfähigkeit oder Eignung des Produktes für einen bestimmten Zweck.
8. Niemand, weder Händler noch Gehilfe oder Mitarbeiter von Desoutter, ist berechtigt, die Bedingungen dieser beschränkten Garantie zu erweitern oder zu verändern.

Istruzioni originali.

© COPYRIGHT 2015, DESOUTTER HP2 7SJ UK

Tutti i diritti riservati. E' vietata la riproduzione totale o anche solo parziale del presente documento salvo previa autorizzazione, specialmente per quanto concerne i marchi depositati, le denominazioni dei modelli, i numeri di codice e le illustrazioni. Si raccomanda di impiegare esclusivamente pezzi di ricambio autorizzati. Gli eventuali danni o difetti di funzionamento dovuti all'uso di pezzi di ricambio non autorizzati non sono coperti dalla garanzia e il fabbricante non sarà ritenuto responsabile.

DICHIARAZIONE DI IMPIEGO

Attrezzo (classe I) adeguato solamente all'ambiente di natura industriale.

Deve essere utilizzato solo per il serraggio o l'allentamento degli accostamenti avvitati nel legno, il metallo o la plastica.

Non è consentito alcun altro utilizzo.

Riservato per uso professionale.

DATI

(Vedere pagina 4).

Livello di rumore: <70 dB(A, (EN 60 745).

Livello di vibrazione: <2,5 m/s² (EN 60 745).

Dichiarazione relativa al rumore e alle vibrazioni

Tutti i valori sono vigenti alla data della presente pubblicazione. Per informazioni più recenti, visitare www.desouttertools.com. I valori dichiarati sono stati ottenuti da test eseguiti in laboratorio in conformità con le norme stabilite e non sono adeguati per l'uso nella valutazione dei rischi. I valori rilevati in determinati luoghi lavorativi possono essere superiori ai valori dichiarati. I valori di esposizione reali e il rischio di pericolo a cui il singolo utente è soggetto sono esclusivi e dipendono dal modo in cui la persona lavora, dal pezzo in lavorazione e dalla struttura dell'area di lavoro, nonché dai tempi di esposizione e dalle condizioni fisiche dell'utente. Noi, Desoutter, non possiamo essere ritenuti responsabili per le conseguenze derivanti dall'uso dei valori dichiarati, anziché di valori che riflettono l'esposizione effettiva, nella specifica valutazione di eventuali rischi in un luogo lavorativo su cui non abbiamo alcun controllo. Se non utilizzato in modo idoneo, questo utensile può provocare la sindrome da vibrazioni manobraccio. Per una guida UE sulla gestione delle vibrazioni manobraccio, consultare l'indirizzo internet http://www.pneurop.eu/uploads/documents/pdf/PN3-02-NV_Declaration_info_sheet_0111.pdf

Si raccomanda l'adozione di un programma di controllo sanitario finalizzato a individuare i primi sintomi di un'eventuale esposizione alle vibrazioni, affinché sia possibile modificare le procedure di gestione e aiutare a prevenire disabilità significative.

Informazioni addizionali sulle vibrazioni

È possibile reperire Informazioni utili per un calcolo approssimativo dell'esposizione giornaliera alle vibrazioni nel rapporto tecnico CEN/TR 15350: 2006, "Vibrazioni meccaniche –Direttiva per la valutazione dell'esposizione alle vibrazioni trasmesse mano-braccio sulla base della documentazione disponibile, compresa quella fornita dai produttori dei macchinari".

MODO DI UTILIZZAZIONE

L'attrezzo può essere portatile oppure può essere utilizzato come mandrino fisso su una macchina.

Attrezzo portatile

- Munire l'attrezzo di un accessorio di avvitatura appropriato e collegarlo poi alla rete elettrica tramite il controllore.
- Tenere fermo l'attrezzo con l'impugnatura e metterlo sul dispositivo di fissaggio da stringere.
- Premere la leva interruttore per avviare l'attrezzo.
- L'attrezzo si ferma quando la coppia programmata è raggiunta.
- Ogni utilizzo deve essere seguito da un tempo di riposo uguale a tre volte la durata d'utilizzo.
- L'inosservanza di questa istruzione può causare un surriscaldamento del motore, o un guasto.
- Questo caso di cattivo utilizzo dell'attrezzo comporterà la nullità della garanzia.

Come la forza di reazione aumenta proporzionalmente alla coppia di serraggio, accertatevi che l'attrezzo sia in perfetto stato di funzionamento e che l'unità di comando sia programmata correttamente, per evitare qualsiasi comportamento inatteso dell'attrezzo, suscettibile di ferire l'operatore.

Controllo e software

Alimentazione tramite dispositivo di controllo ESP C LT, ESP C, ESP CA LT o ESP CA secondo il modello d'attrezzo.

LUBRIFICAZIONE



Non mettere troppo grasso sugli ingranaggi o sui cuscinetti; basta un leggero strato. All'accostamento, utilizzare solo un minimo di grasso per localizzare i componenti.

ATTREZZI

- Nessun attrezzo specifico.

ACCOSTAMENTO E SMONTAGGIO

Seguire le procedure normali d'ingegneria e, consultando l'illustrazione, procedere al montaggio dei sottoaccostamenti di componenti.

ISTRUZIONI PER LA MANUTENZIONE

La manutenzione deve essere effettuata soltanto da un personale qualificato.

- Prima di qualsiasi operazione di manutenzione: disinserire l'attrezzo
- Durante lo smontaggio-rimontaggio dell'attrezzo: prendere le seguenti precauzioni:
 - Verificare che il controllore sia fuori tensione.
 - Scollegare il cavo.



Per l'eliminazione degli elementi, lubrificanti, ecc... accertatevi che siano rispettate le procedure di sicurezza.

Conformemente alla Direttiva 2002/96/CE relativa ai rifiuti di apparecchiature elettriche ed elettroniche (WEEE), questo prodotto deve essere riciclato.

Contattate il "Servizio clienti" oppure consultate il sito "www.cp.com" per conoscere i punti di raccolta destinati al riciclaggio del suddetto prodotto.

GARANZIA DESOUTTER

1. Questo prodotto Desoutter è garantito da difetti di lavorazione o dei materiali per un periodo massimo di 12 mesi a partire dalla data di acquisto presso Desoutter o i suoi rappresentanti, sempre che il suo impiego sia stato limitato ad un unico turno per tutto quel periodo; se il ritmo d'impiego supera il funzionamento di un unico turno, la durata della garanzia sarà ridotta in modo proporzionale.
2. Se il prodotto presenta difetti di fabbricazione o di materiali, durante il periodo della garanzia, deve essere restituito alla Desoutter o ai suoi rappresentanti, unitamente ad una breve descrizione del presunto difetto. La Desoutter deciderà, a sua discrezione, se dar disposizioni per la riparazione o la sostituzione gratuita dei componenti che ritiene essere difettosi, a causa della fabbricazione o dei materiali.
3. Questa garanzia non è valida per quei prodotti che sono stati usati in modo non-conforme, o modificati, o che non sono stati riparati dalla Desoutter, o perché sono stati utilizzati ricambi non preconizzati dalla Desoutter, o perché riparati da persone diverse non autorizzate dalla Desoutter.
4. Se la Desoutter dovesse andare incontro a spese per riparare un guasto causato da abuso, cattivo uso, danni accidentali o modifica non autorizzata, Desoutter richiederà il rimborso totale di tale spesa.
5. Desoutter non accetta nessuna richiesta di risarcimento per spese di manodopera o di altro tipo causate da prodotti difettosi.
6. Si escludono espressamente danni diretti, incidentali o indiretti di qualsiasi tipo, dovuti a qualsiasi difetto.
7. Questa garanzia sostituisce ogni altra garanzia o condizione, espressa o implicita, riguardante la qualità, la commerciabilità o l'idoneità a qualsiasi scopo particolare.
8. Nessuno, neppure i rappresentanti, dipendenti o impiegati della Desoutter, è autorizzato ad ampliare o modificare, in qualsiasi modo, i termini di questa garanzia limitata.

Instruções originais.

© COPYRIGHT 2015, DESOUTTER HP2 7SJ UK

Todos os direitos são reservados. É proibida qualquer utilização ilícita ou cópia total ou parcial. Isto aplica-se particularmente a marcas registradas, denominações de modelos, número de peças e desenhos. Utilizar apenas peças autorizadas. Qualquer dano ou funcionamento defeituoso provocado pela utilização de peças não autorizadas não será coberto pela garantia do produto e o fabricante não será responsável.

DECLARAÇÃO DE UTILIZAÇÃO

Ferramenta (classe I) adequada unicamente para ambiente industrial.

Deve ser utilizada apenas para o aperto ou desaperto das montagens em madeira, metal ou plástico.

Nenhum outro uso é permitido.

Reservado a uso profissional.

DADOS

(Ver página 4).

Nível de ruído: < 70 dB(A) (EN 60 745).

Nível de vibração: < 2,5 m/s² (EN 60 745).

Declaração de Ruído e Vibração

Todos os valores são atuais conforme data desta publicação. Para as informações mais recentes favor consultar desoutertools.com. Estes valores declarados foram obtidos por teste feito em laboratório de acordo com os padrões estipulados e não se destinam para utilização em avaliações de risco. Os valores medidos nos locais individuais de trabalho podem ser maiores que os valores declarados. Os valores reais de exposição e o risco de ferimento sentidos por um usuário são específicos e dependem da maneira em que o usuário trabalha, da peça e do design da estação de trabalho, bem como do tempo de exposição e da condição física do usuário. Nós da Desoutter, não podemos nos responsabilizar pelas conseqüências causadas pelos valores declarados, ao invés dos valores que refletem a exposição real, e pela avaliação de risco individual em um ambiente de trabalho sobre o qual não temos controle.

Esta ferramenta pode provocar o síndrome de vibração das mãos e braços, caso não seja manuseada de forma adequada. Pode encontrar um guia da UE sobre a vibração das mãos e braços em http://www.pneurop.eu/uploads/documents/pdf/PN3-02-NV_Declaration_info_sheet_0111.pdf

Recomendamos um programa de vigilância médica para detectar atempadamente sintomas, que possam estar relacionados com a exposição à vibração, para que os procedimentos de manuseamento possam ser modificados, por forma a ajudar a evitar prejuízos futuros.

Informação Adicional sobre Vibração

Para efectuar estimativas sobre exposições a vibração diária, pode encontrar informação útil em CEN/TR 15350: 2006, "Mechanical vibration – Guideline for the assessment of exposure to hand-transmitted vibration using available information including that provided by manufacturers of machinery." ("Vibração mecânica - Guia para avaliação da exposição à vibração das mãos e braços, utilizando a informação disponível, incluindo a que é disponibilizada pelo fabricante da máquina.")

MODO DE UTILIZAÇÃO

A ferramenta pode ser portátil ou pode ser utilizada como fuso fixo numa máquina.

Ferramenta portátil

- Equipar a ferramenta com um acessório de aperto adequado e ligá-la na rede por intermédio do controlador.
- Manter a ferramenta pelo punho e aplicá-la na fixação a apertar.
- Pressionar a alavanca para dar a partida.
- A ferramenta pára quando o torque programado for atingido. Cada utilização deve ser seguida de um tempo de repouso igual a três vezes o tempo de utilização.
- O descumprimento desta recomendação pode provocar o superaquecimento do motor, e mesmo uma avaria.
- Esse caso de má utilização da ferramenta será causa de nulidade da garantia.

Como a força de reação aumenta proporcionalmente ao torque de aperto, verificar se a ferramenta está em perfeito estado de funcionamento e se a unidade de comando está programada corretamente, de modo a evitar qualquer comportamento inesperado da ferramenta, susceptível de causar ferimentos no operador.

Controle e software

Alimentação pelo controlador ESP C LT, ESP C, ESP CA LT ou ESP CA consoante o modelo da ferramenta.

LUBRIFICAÇÃO



Não aplicar demasiada graxa nas engrenagens ou mancais; basta uma camada fina.
Utilizar o mínimo de graxa para identificar os componentes durante a montagem.

FERRAMENTAS

- Não há ferramentas específicas.

MONTAGEM E DESMONTAGEM

Seguir as práticas normais de engenharia e consultar a ilustração para efetuar a montagem de subconjuntos de componentes.

INSTRUÇÕES DE MANUTENÇÃO

A manutenção deve ser efetuada unicamente por pessoal qualificado.

- Antes de qualquer operação de manutenção: desligar a ferramenta da energia.
- Ao desmontar montar da ferramenta: tomar as precauções seguintes:
 - Verificar se o controlador está sem tensão.
 - Desligar o cabo.



Para a eliminação dos componentes, lubrificantes, etc. certificar-se que os processos de segurança são respeitados.

Em conformidade com a Diretiva 2002/96/CE referente aos resíduos de equipamentos elétricos e eletrônicos (WEEE), este produto deve ser reciclado.

Contate o "Serviço Cliente" ou consulte o site "www.cp.com" para conhecer os locais de coleta destinados à reciclagem deste produto.

GARANTIA DESOUTTER

1. Este produto Desoutter está garantido contra defeito de fabrico ou de material, pelo prazo máximo de 12 meses a contar da data da compra feita a Desoutter ou aos seus agentes, com a condição de que a utilização do produto se tenha limitado ao funcionamento em turno único durante o referido período. Caso a utilização tenha ultrapassado os limites do funcionamento em turno único, o prazo de garantia será reduzido proporcionalmente.
2. Caso o produto apresente sinais de defeito de fabrico ou de material durante o período de garantia, deverá ser devolvido à Desoutter ou aos seus agentes, juntamente com uma breve descrição da suposta falha. Ficará a critério exclusivo de Desoutter a decisão de providenciar ou substituir gratuitamente os artigos considerados imperfeitos devido a defeito de fabrico ou de material.
3. A presente garantia não se aplicará a produtos que tenham sido submetidos a abuso, utilização incorreta ou modificações, ou a reparações com outras peças que não as genuínas peças sobressalentes Desoutter, por outro agente que não o próprio fabricante Desoutter ou um técnico de reparações autorizado pelo mesmo.
4. Caso a Desoutter incorra alguma despesa na reparação de uma falha resultante de abuso, utilização incorreta, dano acidental ou modificação não autorizada, tal despesa deverá ser integralmente satisfeita.
5. A Desoutter não aceita qualquer reivindicação pertinente a mão-de-obra ou despesa de outra natureza, respeitante a produtos defeituosos.
6. Quaisquer danos diretos, acidentais ou resultantes do ato, que decorram de qualquer falha, estão expressamente excluídos.
7. A presente garantia substitui todas as demais garantias, ou condições, expressas ou implícitas, pertinentes à qualidade, ou adequação do produto a qualquer finalidade específica.
8. Nenhuma pessoa, seja agente, empregado ou funcionário de Desoutter, está autorizada a fazer aditamentos e/ou modificar, os termos desta garantia limitada, seja de que forma for.

Alkuperäiset ohjeet.

© COPYRIGHT 2015, DESOUTTER HP2 7SJ UK

Kaikki oikeudet pidätetään. Sisällön tai sen osien luvaton käyttö tai kopiointi on kielletty. Tämä koskee erityisesti tavaramerkkejä, mallimerkintöjä, osanumeroita ja piirustuksia. Käytä ainoastaan alkuperäisiä osia. Takuu tai tuotevastuu ei kata muiden kuin alkuperäisten osien käytöstä aiheutunutta vahinkoa tai vikaa.

KÄYTTÖTARKOITUS

Ainoastaan teollisuusolosuhteisiin tarkoitettu työkalu (luokka I).

Käytetään puisten, metallisten tai muovisten liitosten kiristämiseen tai irrottamiseen.

Mikään muu käyttö ei ole sallittua.

Tarkoitettu ammattikäyttöön.

TIEDOT

(Ks. sivu 4).

Melutaso: < 70 dB(A) (EN 60 745).

Tärinäataso: < 2.5 m/s² (EN 60 745).

Melu ja tärinäseloste

Kaikki arvot ovat ajankohtaisia tämän julkaisun päivämääränä. Katso uusimmat tiedot osoitteesta desouttertools.com.

Tässä ilmoitetut arvot on saatu mainittujen normien mukaisissa laboratoriotesteissä. Ne eivät riitä riskien määrittämiseen. Yksittäisissä työpisteissä mitatut arvot voivat olla selosteessa mainittuja arvoja suuremmat. Todelliset altistusarvot ja yksilöön kohdistuvat haitalliset vaikutukset ovat yksilöllisiä. Ne riippuvat työskentelytavasta, työstettävästä kappaleesta, työaseman rakenteesta, altistusajasta ja käyttäjän terveydentilasta. Sen vuoksi Desoutter ei voi olla vastuussa tässä ilmoitettujen arvojen käytöstä (todellisten altistusarvojen sijasta) työpisteessä vallitsevan yksilöllisen riskin määrittämiseen ja siitä aiheutuvista seuraamuksista, olosuhteissa, joihin emme voi millään tavalla vaikuttaa.

Tämä työkalu saattaa aiheuttaa käden ja käsivarren HAV-oireyhtymän ellei sitä käytetä ohjeiden mukaisesti. EU-ohje HAV-oireyhtymän käsittelemiseksi löytyy osoitteesta

http://www.pneurop.eu/uploads/documents/pdf/PN3-02-NV_Declaration_info_sheet_0111.pdf

Suosittamme säännöllisiä terveystarkastuksia tärinäaltistuksen aiheuttamien, tärinäsairauteen viittaavien oireiden havaitsemiseksi ajoissa, jotta työnohjauksella ja työympäristöön vaikuttavilla toimilla voidaan estää oireiden paheneminen tulevaisuudessa.

Lisätietoa tärinästä

Tärinäaltistuksen summittaiseen arviointiin on olemassa hyödyllistä oppaassa CEN/TR 15350: 2006, "Mekaaninen värähtely – Opastusta käsiin kohdistuvan tärinäaltistuksen arvioimiseksi käyttäen hyväksi saatavilla olevaa tietoa mukaan lukien koneiden valmistajien toimittamat tiedot."

KÄYTTÖOHJE

Työkalu voi olla kannettava tai sitä voidaan käyttää kiinteään pistikkeeseen koneella.

Kannettava työkalu

- Varusta työkalu sopivalla ruuvilisävarusteella ja liitä se sitten verkkovirtaan ohjaimen kautta.
- Pidä työkalua kahvasta ja aseta se ruuvikiinnittimelle.
- Työkalu käynnistetään painamalla vipua.
- Työkalu pysähtyy kun ohjelmoitu momentti on saavutettu.
- Moottorin täytyy levätä jokaista käyttösekuntia kohti 3 sekuntia.
- Tämän ohjeen noudattamatta jättäminen voi aiheuttaa moottorin ylikuumentumisen tai sen vahingoittamisen.
- Se luokitellaan väärinkäyttöksi, joka ei ole takuunalainen.

Koska reagoititeho kasvaa suhteessa kiristävääntömomenttiin varmista, että työkalu on moitteettomassa käyttökunnossa ja että ohjausyksikkö on oikein ohjelmoitu.

Näin vältetään käyttäjää loukkaavilta työkalun arvaamattomilta käyttäytymisiltä.

Ohjaus ja ohjelmisto

Virtalähteet ESP C LT, ESP C, ESP CA LT, ESP CA mallista riippuen.

VOITELU



Älä laita liikaa rasvaa välityksille tai tukilaakereille; yksi rasvakeros riittää. Käytä vain minimimäärä rasvaa komponenttien kohdistamiseksi kokoonpanon yhteydessä.

TYÖKALUT

- Ei erityisiä työkaluja.

KOKOAMINEN JA PURKAMINEN

Noudata vaatimustenmukaisia teknisiä käytäntöjä ja käytä kuvaa apunasi lisäosien asentamisessa.

HUOLTO-OHJEET

Huollon saa tehdä vain koulutettu ammattihenkilökunta.

- Ennen huoltotöitä: irtikytkä työkalu verkkovirrasta.
- Työkalun purkamisen/kokoonpanon yhteydessä: noudata seuraavia varokeinoja:
 - Varmista, että kotelo on jännitteetön.
 - Irroita kaapeli.



Komponenttien, jätteöljyjen jne. hävittämisessä on noudatettava turvallisuuksmääräysten mukaista käytäntöä.

Sähkölaite- ja elektroniikkajätettä koskevan direktiivin 2002/96/CE nojalla tämä tuote täytyy kierrättää.

Ota yhteyttä asiakastukikeskukseen tai käy sivustolla www.cp.com saadaksesi selville, minne tuotteen voi toimittaa kierrätettäväksi.

DESOUTTER-YHTIÖN MYÖNTÄMÄ TAKUU

1. Tällä Desoutter-tuotteella on takuu, joka kattaa mahdolliset valmistusvaiheessa aiheutuneet tuote- tai materiaaliaviat enintään 12 kuukauden ajalle siitä päivästä lähtien, jolloin tuote on hankittu Desoutter-yhtiöltä tai sen myyntiedustajilta edellyttäen, että tuotteen käyttö rajoitetaan yhteen työvuoroon tämän ajanjakson aikana. Jos tuotetta käytetään enemmän kuin yhden työvuoron ajan, takuun kattama jakso lyhentyy tuotteen käyttöä vastaavalla ajalla.
2. Jos tuotteessa ilmenee takuujakson aikana valmistusvaiheessa aiheutunutta tai materiaaleista johtuvaa vikaa, se on palautettava Desoutter-yhtiölle tai sen myyntiedustajalle ja mukaan on liitettävä lyhyt, kyseistä vikaa koskeva kuvaus. Desoutter järjestää harkintansa mukaan maksutta korjauksen tai vaihdon sellaisille tuotteille, joissa todetaan valmistusvaiheessa syntynyt tai materiaalien aiheuttama vika.
3. Takuu ei kata tuotteita, joita on käytetty asiattomasti tai väärin tai joihin on tehty muutoksia. Se ei myöskään kata tuotteita, joita on korjattu muita kuin alkuperäisiä Desoutter-yhtiön varaosia käyttämällä tai joiden korjauksen on suorittanut joku muu kuin Desoutter-yhtiö tai sen valtuuttama huoltohenkilöstö.
4. Jos Desoutter-yhtiölle aiheutuu kuluja sellaisen vian korjauksesta, joka on syntynyt tuotteen asiattomasta tai vääränlaisesta käytöstä, vahingon aiheuttamasta vaurioitumisesta tai tuotteeseen tehtyjen valtuuttamattomien muutosten seurauksena, yhtiö vaatii näiden kulujen korvaamista kokonaisuudessaan.
5. Desoutter ei ota vastattavakseen minkäänlaisia viallisista tuotteista aiheutuneita työkuluja tai muita korvausvaatimuksia.
6. Takuu ei kata minkäänlaisia vikojen mahdollisesti aiheuttamia suoranaisia, satunnaisia tai käyttöön vaikuttavia kustannuksia.
7. Tämä takuu annetaan kaikkien muiden suorien tai epäsuorien takuiden tai ehtojen asemasta koskien tuotteen laatua, myyntikelpoisuutta tai sopivuutta tiettyyn käyttötarkoitukseen.
8. Desoutter-yhtiön myyntiedustajilla, palveluhenkilöstöllä tai työntekijöillä ei ole valtuuksia tehdä minkäänlaisia lisäyksiä tai muutoksia tämän takuun rajoittamiin ehtoihin.

Originalinstruktioner.

© COPYRIGHT 2015, DESOUTTER HP2 7SJ UK

Alla rättigheter förbehållna. All icke-auktorerad användning eller kopiering av innehållet eller del därav är förbjuden. Detta gäller speciellt för varumärken, modellbeteckningar, komponentnummer och ritningar. Använd endast originaldelar. Skador eller funktionsstörningar, som vållas av att andra delar används omfattas inte av garantin eller produktansvaret.

ANVÄNDNING

Verktyg (klass I) endast lämpad för industriell miljö.

Skall användas för att skruva åt eller lossa fogningar i trä-, metall- eller plastmaterial.

Ingen annan användning tillåts.

Reserverad för en professionell användning.

FAKTA

(se sid. 4)

Ljudnivå: < 70 dB(A) (EN 60 745).

Vibrationsnivå: < 2.5 m/s² (EN 60 745).

Buller- och vibrationsdeklaration

Alla värden gäller vid publiceringsdatum för detta dokument. För senaste information, besök desouttertools.com.

De här fastställda värdena erhöles genom laboratorieprover i överensstämmelse med uppgivna standarder och är ej lämpliga för riskutvärderingar. Värden som uppmätts på individuella arbetsplatser kan vara högre än de fastställda värdena. De faktiska exponeringsvärdena och risken för skada för en individuell användare är unik och beror på det sätt som användaren arbetar, arbetsstycket och arbetsplatsens konstruktion, såväl som på exponeringstiden och användarens fysiska tillstånd. Vi, Desoutter, kan ej hållas ansvariga för följder vid användning av fastställda värden istället för värden som återkastar den faktiska exponeringen för en individuell riskutvärdering i en situation på en arbetsplats, över vilken vi ej har någon kontroll. Detta verktyg kan orsaka vibrationssyndrom på handen-armen om verktyget inte hanteras på rätt sätt. Det finns EU-guide angående hantering av hand-arm vibrationer på http://www.pneurop.eu/uploads/documents/pdf/PN3-02-NV_Declaration_info_sheet_0111.pdf

För att förebygga eventuella framtida åkommor rekommenderar vi att hälsokontroller genomförs för att upptäcka tidiga symptom som kan bero på vibrationsrelaterade arbetsuppgifter.

Ytterligare information om vibrationer

För att göra grova uppskattningar av den dagliga påverkan av vibrationer, se CEN/TR 15350: 2006, "Mekanisk vibration – riktlinje för undvikande av vibrationsrelaterade handåkommor med hjälp av tillgänglig information samt information från maskinens tillverkare."

ANVÄNDNINGSSÄTT

Verktyget kan vara mobilt eller användas som fast spindel på en maskin.

Mobilt verktyg

- Utrusta verktyget med ett lämpligt skruvdragningsstillbehör och anslut det sedan till nätet via styrenheten.
- Håll verktyget i handtaget och anbringa det på det förband som skall dras åt.
- Tryck på spaken för att starta verktyget.
- Verktyget stannar när det förinställda åtdragningsmomentet uppnås.
- Motorn behöver vila i 3 sekunder för varje sekund den används.
- Om motorn inte får vila kan den överhettas och så småningom förstöras.
- Detta anses vara felaktig användning och garantin gäller då inte.

Eftersom reaktionskraften ökar proportionellt mot åtdragningsmomentet, se till att verktyget är i perfekt funktionskick och att manöverenheten är riktigt programmerad, för att undvika varje oväntat beteende hos verktyget, som riskerar att skada operatören.

Kontroll och programvara

Strömförsörjning via ESP C LT, ESP C, ESP CA LT, ESP CA beroende på modell.

SMÖRJNING



Sätt inte på för mycket fett på kuggghjul och lager; ett tunt skikt räcker. Använd bara en aning fett för att känna igen komponenterna vid hopsättningen.

VERKTYG

- Inga specifika verktyg.

MONTERING OCH NEDMONTERING

Följ rekommenderad teknik och följ bildanvisningen vid montering av maskinaggregatskomponenterna.

UNDERHÅLLSINSTRUKTIONER

Underhållet får endast utföras av kvalificerad personal.

- Före varje underhållsarbete : koppla ur verktyget.
- Vid demontering och återmontering av verktyget, vidta följande försiktighetsåtgärder:
 - Kontrollera att instrumentet är bortkopplat från nätet.
 - Dra ur sladden.



För omhändertagandet av komponenter, smörjmedel, etc... se till att säkerhetsproceduren tillämpas.

Enlighet med direktiven 2002/96/CE angående bortförskaffning av elektriska och elektronisk utrustning (WEEE), måste den här produkten återvinnas.

Var god kontakta din "Kundtjänst" eller konsultera hemsidan "www.cp.com" för att ta reda på var du kan återvinna den här produkten.

DESOUTTER GARANTI

1. Denna produkt från Desoutter garanteras mot defekt utförande eller material under en period av högst 12 månader efter det datum den köptes från Desoutter eller deras ombud, förutsatt att dess användning är begränsad till enkelskiftarbete under hela denna period. Om användningsfrekvensen överskrider enkelskiftarbete skall garantiperioden reduceras i motsvarande mån.
2. Om produkten under garantiperioden visar sig vara defekt beträffande utförande eller material, skall den återlämnas till Desoutter eller dess ombud tillsammans med en kortfattad beskrivning av den påstådda defekten. Desoutter skall efter eget gottfinnande ordna med reparation eller utbyte av sådana komponenter som anses felaktiga på grund av defekt utförande eller material.
3. Denna garanti upphör att gälla för produkter som misshandlats, missbrukats eller modifierats, eller som har reparerats med andra reservdelar än originaldelar från Desoutter eller av någon annan än Desoutter eller dess auktoriserade serviceombud.
4. Om Desoutter skulle ådraga sig någon utgift vid åtgärdandet av en defekt som orsakats av misshandel, missbruk, ofrivillig skada eller icke auktoriserad modifiering kräver de att denna utgift till fullo betalas.
5. Desoutter accepterar inga krav om ersättning för arbetskostnader eller andra omkostnader för defekta produkter.
6. Alla direkta eller tillfälliga skador eller följskador som uppkommer på grund av någon defekt undantages uttryckligen.
7. Denna garanti lämnas i stället för alla andra garantier, eller villkor, uttryckliga eller underförstådda, beträffande kvalitet, säljbarhet eller lämplighet för något bestämt ändamål.
8. Ingen, vare sig ombud, tjänsteman eller arbetstagare hos Desoutter har befogenhet att lägga till eller modifiera villkoren i denna begränsade garanti på något sätt.

Opprinnelige instruksjoner.

© COPYRIGHT 2015, DESOUTTER HP2 7S UK

Alle rettigheter forbeholdes. All ikke-autorisert anvendelse eller kopiering av innhold eller deler av dette, er forbudt. Dette gjelder spesielt varemerker, modellbetegnelser, delenummer og tegninger. Bruk kun originaldeler. Skader eller funksjonsforstyrrelser som følge av at uoriginale deler er blitt brukt, omfattes ikke av garantien eller fabrikantens produktansvar.

BRUKSERKLÆRING

Verktøy (klasse I) egnet kun for industrimiljø.

Det skal brukes til å stramme eller løsne skjøter i tre, metall eller plastmaterialer.

Annet bruk er ikke tillatt.

Forbeholdt profesjonell bruk.

DATA

(Se side 4).

Støynivå: < 70 dB(A) (EN 60 745).

Vibrasjonsnivå: < 2.5 m/s² (EN 60 745).

Opplysninger om støy og vibrasjon

Alle verdier er aktuelle ved dato for denne utgivelsen. For siste informasjon vennligst besøk desouttertools.com.

Opplyste verdier ble oppnådd ved tester som brukes i laboratorier i overensstemmelse med uttalte standarder og er ikke tilstrekkelige til bruk ved risikovurdering. Verdier målt på enkeltarbeidsplasser kan være høyere enn opplyste verdier. Faktiske eksponeringsverdier og risiko for skade som erfares av en enkelt bruker er unike og er avhengig av måten brukeren arbeider på, arbeidsstykket og arbeidsstasjonens utforming, så vel som eksponeringstid og brukerens fysiske tilstand. Vi, Desoutter, kan ikke holdes ansvarlige for konsekvenser ved bruk av opplyste verdier isteden for verdier som reflekterer faktisk eksponering, og den enkeltes risikovurdering i en situasjon på arbeidsplassen som vi ikke har kontroll over. Verktøyet kan forårsake hånd/armvibrasjonssyndrom hvis bruken ikke håndteres på riktig måte. En EU-veiledning om styring av hånd-armvibrasjon er å finne på http://www.pneurop.eu/uploads/documents/pdf/PN3-02-NV_Declaration_info_sheet_0111.pdf

Vi anbefaler at bedriftshelsetjenesten gjennomfører et program for å avdekke tidlige tegn på vibrasjonseksponering, slik at prosedyrene kan endres for å bidra til å unngå fremtidig svekkelse.

Tilleggsopplysninger om vibrasjon

Nyttige anslag over daglig vibrasjonseksponering er å finne i CEN/TR15350: 2006, "Mechanical vibration - Guideline for the assessment of exposure to handtransmitted vibration using available information including that provided by manufacturers of machinery."

BRUKSANVISNING

Dette verktøyet kan brukes som bærbart verktøy eller som fast fastspenningsutstyr på en maskin.

Bærbart verktøy

- Utstyr verktøyet med et tilpasset skrutillbehør og kople til strømnettet ved hjelp av kontrollenheten.
- Hold verktøyet i håndtaket og anbring det mot skruen som skal skrues fast.
- Trykk spaken for å starte verktøyet.
- Verktøyet stopper når forhåndsprogrammert moment er nådd.
- For hvert sekund verktøyet brukes, må motoren hvile i tre sekunder.
- Manglende overholdelse av dette kan forårsake overoppheting og mulig skade på motoren.
- Dette anses som misbruk, og garantien vil opphøre å gjelde.

Vær oppmerksom på at den tilbakevirkende kraften øker proporsjonelt med tiltrekkingmomentet.

Påse derfor at verktøyet er i perfekt funksjonsstand og at kontrollenheten er riktig programmert slik at du unngår uventede bevegelser som kan være skadelige for brukeren.

Kontroll og programvare

Strømforsyning via ESP C LT, ESP C, ESP CA LT, ESP CA avhengig av modell.

SMØRING



Ha ikke for mye smøremiddel på tannhjul eller lagre.
Det er nok med et tynt lag.

VERKTØY

- Ingen bestemte verktøy.

MONTERING OG DEMONTERING

Følg alminnelige tekniske forholdsregler og foreta montering av de forskjellige underenhetene ved å følge illustrasjonene.

INSTRUKSJONER OM VEDLIKEHOLD

Vedlikehold skal kun utføres av godkjent personale.

- Før ethvert vedlikeholdsarbeid: kople fra verktøyet
- Ved demontering og tilbakemontering av verktøyet: ta følgende forholdsregler:
 - Påse at verktøyet ikke er tilkopleet strøm.
 - Kople fra ledningen.



For eliminering av komponenter, smøremidler, osv., skal man påse at alle sikkerhetsforskrifter blir overholdt.

Følge EU-direktiv 2002/96/CE angående elektrisk og elektronisk avfall (WEEE) skal dette produktet gjenvinnes.

Vennligst kontakt deres "kundesenter" eller besøk nettstedet "www.cp.com" for å finne ut hvor dette produktet kan gjenvinnes.

GARANTI FRA DESOUTTER

1. Dette produktet fra Desoutter garanteres det mot produksjons- og materialfeil i maksimalt 12 måneder etter at det er kjøpt fra Desoutter eller deres forhandlere, under forutsetning av at bruken begrenses til drift i enkelt-skift i denne perioden. Hvis produktet brukes utover drift i enkelt-skift, skal garantiperioden reduseres forholdsmessig.
2. Hvis produktet i løpet av garantiperioden viser seg å ha produksjons- eller materialfeil, skal det returneres til Desoutter eller deres forhandlere sammen med en kort beskrivelse av den angivelige feilen. Desoutter skal etter eget skjønn avgjøre om de vil reparere eller skifte ut deler som anses å ha produksjons- eller materialfeil.
3. Denne garantien dekker ikke produkter som er mishandlet, misbrukt eller endret, eller er reparert ved hjelp av annet enn originale Desoutter-deler eller utført av andre enn Desoutter eller deres autoriserte service-representanter.
4. Hvis Desoutter pådrar seg kostnader i forbindelse med utbedring av en feil som skyldes mishandling, misbruk, tilfeldig eller uautorisert endring, skal slike kostnader dekkes i sin helhet av kunden.
5. Desoutter aksepterer ingen krav om erstatning for arbeidsutgifter eller andre kostnader i forbindelse med produkter med mangler.
6. Alle direkte skader, indirekte skader eller følgeskader som skyldes eventuelle mangler, dekkes ikke av denne garantien.
7. Denne garantien gjelder i stedet for alle andre garantier, eller vilkår, uttrykt eller underforstått, når det gjelder kvalitet, salgbarhet eller egnethet for bestemte formål.
8. Ingen, verken en forhandler, medarbeider eller ansatt hos Desoutter, har autorisasjon til å tilføye eller å endre vilkårene på noen måte i denne begrensede garantien.

Opriidelige anvisninger.

© COPYRIGHT 2015, DESOUTTER HP2 7S UK

Alle rettigheder forbeholdes. Indholdet eller dele deraf må ikke anvendes eller kopieres uden tilladelse. Dette gælder i særdeleshed varemærker, modelbetegnelser, delnumre og tegninger. Brug kun originale dele. Beskadigelse eller svigt som følge af brug af uoriginale dele er ikke dækket af garantien eller produktansvaret.

ANVENDELSESERKLÆRING

Værktøj (klasse I) kun egnet til industrielt miljø.

Bør kun anvendes til spænding og løsning af samlinger i træ, metal eller plastikmaterialer.

Ingen anden anvendelse er tilladt.

Forbeholdt professionel brug.

DATA

(Se side 4).

Støjniveau: < 70 dB(A) (EN 60 745).

Vibrationsniveau: < 2.5 m/s² (EN 60 745).

Støj- og vibrationsdeklaration

Alle værdier er aktuelle på datoen for denne publikation. Se www.desouttertools.com for at få de seneste oplysninger.

De ovenstående værdier blev opnået under laboratorieforsøg i overensstemmelse med de ovenstående standarder og er ikke tilstrækkeligt grundlag til vurdering af risiko forbundet med brug af udstyret. Værdier målt på det individuelle arbejdsområde kan være højere end de ovennævnte værdier. Den faktiske udsættelse for skadelig støj eller vibration og den risiko, der opleves af brugeren, er enestående afhængige af den måde, individet arbejder på, og hvordan arbejdsområdet er anlagt, såvel som udsættelsens varighed og brugerens fysiske kondition. Vi, Desoutter, kan ikke påtage os noget ansvar for anvendelse af de ovenstående værdier i stedet for anvendelse af værdier, der er opnået i den faktiske arbejdsituation, som grundlag for vurdering af risiko forbundet med brug i en arbejdsituation, vi ikke har nogen kontrol over. Dette værktøj kan fremkalde hånd-armvibrationssyndrom, hvis brugen af det ikke styres på hensigtsmæssig vis. En EU-vejledning i styring af hånd-arm-vibration kan findes på http://www.pneurop.eu/uploads/documents/pdf/PN3-02-NV_Declaration_info_sheet_0111.pdf

Vi anbefaler et helbredsovervågningsprogram, så tidlige symptomer på vibrationseksponering kan blive opdaget, og delsesprocedurerne kan ændres mhp. at forebygge fremtidig skader.

Supplerende vibrationsoplysninger

Til udarbejdelse af grove overslag over daglige vibrationseksponeringer kan der findes nyttig information i CEN/TR 15350: 2006, "Mekanisk vibration – Vejledning til vurdering af håndoverført vibrationseksponering på basis af tilgængelig information, inklusive information afgivet af maskinproducenter."

BRUGSANVISNING

Værktøjet kan være bærbart eller anvendes som fast dorn på en maskine.

Bærbart værktøj

- Udstyr værktøjet med et passende skruetilbehør og kobl det til netspændingen gennem kontrolboksen.
- Hold værktøjet i håndtaget og sæt det på den fastspænding, der skal spændes.
- Tryk armen ned for at starte.
- Værktøjet stopper, når det forudindstillede moment nås.
- Efter hver anvendelse har motoren brug for at hvile i et tidsrum, der er lig med 3 gange driftstiden.
- Hvis dette ikke overholdes, kan det føre til overophedning og muligvis beskadigelse af motoren.
- Dette betragtes som et tilfælde af misbrug, der ophæver garantien.

Da reaktionskraften stiger proportionalt med tilspændingsmomentet, skal man sikre sig, at værktøjet er i perfekt funktionsstand og at styreenheden er korrekt programmeret for at undgå, at værktøjet opfører sig uventet med risiko for at skade operatøren.

Styring og software

Strømforsyning via kontrolboksen EPS C LT, ESP C, ESP CA LT eller ESP CA afhængigt af modellen.

SMØRING



Kom ikke for meget fedt på gear eller lejer; et fint lag er tilstrækkeligt. Anvend kun minimalt fedt til at mærke komponenterne med under samlingen.

VÆRKTØJER

- Ingen specifikke værktøjer.

SAMLING OG ADSKILLELSE

Der bør anvendes standard ingeniørpraksis og refereres til illustration ved montering af komponent del-monteringer.

VEDLIGEHODELSESIKSTRIKTIONER

Vedligeholdelse skal udelukkende sikres af kvalificeret personale.

- Før nogen form for vedligeholdelse: Frakobl værktøjet.
- Ved afmontering genmontering af værktøjet: Træf følgende foranstaltninger:
 - Kontroller at boksen ikke er spændingsførende.
 - Frakobl kablet.



Ved bortskaffelse af komponenter, smøremidler, osv. skal man sikre sig, at sikkerhedsreglerne er overholdt.

Overensstemmelse med WEEE-direktivet (2002/96/EF) om affald af elektrisk og elektronisk udstyr skal dette produkt recirkuleres.

Kontakt venligst dit "Kundecenter" eller find oplysninger om hvor du kan recirkulere dette produkt på internetadressen "www.cp.com".

DESOUTTER GARANTI

1. Dette Desoutter produkt er garanteret mod defekt udførelse eller materiale for en periode på maksimalt 12 måneder efter den dato, det blev indkøbt fra Desoutter eller dennes agenter, forudsat dets brug begrænses til enkeltholdsdrift under hele denne periode. Hvis brugen overstiger enkeltholds-driftniveau, vil garantiperioden blive reduceret på pro rata basis.
2. Hvis produktet forekommer af være defekt med hensyn til udførelse eller materiale indenfor garantiperioden, skal det returneres til Desoutter, eller dennes agenter, sammen med en kort beskrivelse af den anførte defekt. Desoutter vil efter eget skøn arrangere enten reparation eller udskiftning af sådanne dele, som anses for defekte, enten på grund af defekt udførelse eller materialer.
3. Denne garanti vil ophøre med at være gældende for produkter, som er blevet misbrugt, brugt forkert eller modificeret, eller er blevet repareret med reservedele, som ikke er originale Desoutter reservedele eller af andre end Desoutter, eller dennes autoriserede service-agenter.
4. Hvis Desoutter skulle pådrage sig nogen som helst udgifter i forbindelse med korrigerende af en defekt, som skyldes misbrug, forkert brug, hændeligt uheld eller uautoriseret modificering, vil Desoutter kræve at sådanne udgifter bliver godtgjort fuldt ud.
5. Desoutter accepterer ikke noget krav for arbejds løn eller andre udgifter i forbindelse med defekte produkter.
6. Alle direkte, tilfældige eller deraf følgende skader, som stammer fra nogen som helst defekter, er udtrykkeligt udelukket.
7. Denne garanti gives i stedet for alle andre garantier, eller betingelser, udtrykkelige eller underforståede, med hensyn til kvaliteten, salgbarheden eller egnetheden for noget som helst specielt formål.
8. Ingen personer, hvad enten en Desoutter agent, -underkontrahent eller -ansat, er autoriseret til at tilføje til eller modificere betingelserne i denne begrænsede garanti på nogen som helst måde.

Originale instructies.

© COPYRIGHT 2015, DESOUTTER HP2 7SJ UK

Alle rechten voorbehouden. Het zonder toestemming gebruiken of kopiëren van de inhoud of delen daarvan is verboden. Dit is in het bijzonder van toepassing op gedeponeerde handelsmerken, modelaanduidingen, onderdeelnummers en tekeningen. Gebruik alleen goedgekeurde onderdelen. Schade of defecten die veroorzaakt zijn door het gebruik van niet-goedgekeurde onderdelen vallen niet onder de garantiebepalingen van het product en de fabrikant kan niet verantwoordelijk worden gesteld.

GEBRUIKSVERKLARING

Dit gereedschap (klasse I) is alleen geschikt voor de industriële werkomgeving.

Het dient uitsluitend te worden gebruikt voor het schroeven en losschroeven van assemblages vastgeschroefd in hout, metaal of plastic.

Er is geen ander gebruik toegestaan.

Uitsluitend bestemd voor professioneel gebruik.

GEGEVENS

(Zie pagina 4).

Geluidsniveau: < 70 dB(A) (EN 60 745).

Vibratieniveau: < 2,5 m/s² (EN 60 745).

Verklaring m.b.t. geluid en trillingen

Alle waarden zijn geldig vanaf de datum van deze publicatie. Bezoek voor de meest recente informatie desouttertools.com

Deze opgegeven waarden zijn verkregen uit laboratoriumtests overeenkomstig de opgegeven normen en zijn niet voldoende voor gebruik in risicobeoordeling. Op individuele werkplekken gemeten waarden kunnen hoger zijn dan de opgegeven waarden. De feitelijke blootstellingswaarden en het door een individuele gebruiker ervaren risico van letsel zijn uniek en hangen af van de manier waarop de gebruiker werkt, het ontwerp van het werkstuk en het werkstation alsook van de blootstellingstijd en de fysieke conditie van de gebruiker. Wij, Desoutter, kunnen niet aansprakelijk worden gesteld voor de gevolgen van het gebruik van de opgegeven waarden, in plaats van waarden die de feitelijke blootstelling weergeven, bij een individuele risicobeoordeling op een werkpleksituatie waarover wij geen controle hebben.

Dit gereedschap kan het hand-armtrillingsyndroom veroorzaken als het niet correct wordt gebruikt. Een EU-richtlijn voor het beheren van hand-arm-trillingen treft u aan op de website <http://www.pneurop.eu/uploads/>

[documents/pdf/PN3-02-NV_Declaration_info_sheet_0111.pdf](#)

Wij adviseren een gezondheidscontrole op te zetten om al in een vroegstadium symptomen te kunnen waarnemen die gerelateerd zouden kunnen zijn aan blootstellingen aan trillingen, zodat managementprocedures aangepast kunnen worden om toekomstig letsel te voorkomen.

Extra informatie over trillingen

Voor het maken van ruwe schattingen van het blootstellen aan trillingen, treft u nuttige informatie aan in CEN/TR 15350: 2006, "Mechanische trillingen - Richtlijn voor de bepaling van blootstelling aan op de hand overgebrachte trillingen gebruikmakend van beschikbare informatie inclusief door de fabrikant van de machines verstrekte informatie."

GEBRUIKSAANWIJZING

Het gereedschap kan worden gebruikt als draagbaar apparaat of als vaste spil op een machine.

Draagbaar apparaat

- Het gereedschap voorzien van de geschikte schroefaccessoire en het vervolgens aansluiten op de netspanning via het controlesysteem.
- Het gereedschap aan de handgreep vasthouden en toepassen op de op te spannen schroefbevestiging.
- Druk op de hendel om te starten.
- Het apparaat stopt zodra het geprogrammeerde draaimoment bereikt is.
- Na elk gebruik moet er een pauze ingelast worden gelijk aan drie keer de gebruiksduur.
- Het niet inacht nemen van deze instructie kan oververhitting en zelfs storing van de motor veroorzaken.
- Bij dergelijk onjuist gebruik van het apparaat is de garantie niet meer geldig.

Gezien de reactiekracht afhankelijk van de schroefkoppel verhoudingsgewijs toeneemt, moet men zich ervan verzekeren dat het gereedschap perfect functioneert en dat de bedieningseenheid juist geprogrammeerd is ter voorkoming van onverwachte reacties van het gereedschap, die tot verwonding van het bedienend personeel kunnen leiden.

Controle en software

Voeding via ESP C LT, ESP C, ESP CA LT of ESP CA afhankelijk van het type apparaat.

SMEERBEURT



Niet te veel smeerolie aanbrengen op het raderwerk en de kussenblokken; een dun laagje is voldoende.

Zo weinig mogelijk smeerolie gebruiken om tijdens het monteren de componenten te kunnen herkennen.

GEREEDSCHAPPEN

- Geen specifieke gereedschappen.

MONTEREN EN DEMONTEREN

Volgens de normale technische praktijkmethodes te werk gaan en aan de hand van de afbeelding de verschillende componenteenheden monteren.

ONDERHOUDSINSTRUCTIES

Het onderhoud moet uitsluitend door vakbekwaam personeel worden uitgevoerd.

- Voor alle onderhoudshandelingen allereerst: het gereedschap loskoppelen van de netspanning.
- Bij het demonteren en monteren van het gereedschap: de volgende voorzorgsmaatregelen nemen:
 - Zeker stellen dat de stuurkast niet onder spanning staat.
 - De kabel loskoppelen.



Voor verwijdering van onderdelen, smeerolie, enz. allereerst zekerstellen dat de veiligheidsvoorschriften gevolgd zijn.

Overeenkomstig Richtlijn nr. 2002/96/EG omtrent afval van elektrische en elektronische apparatuur (WEEE of AEEA) komt dit product voor recycling in aanmerking.

U wordt verzocht contact op te nemen met de "Klantendienst" of de website "www.cp.com" te raadplegen voor informatie over de inzamelpunten ter recycling van dit product.

GARANTIEVOORWAARDEN

1. Dit Desoutter product is gedekt door een garantie van maximaal 12 maanden tegen materiaal- en/of constructiefouten, op voorwaarde dat het gedurende die tijd alleen in enkelvoudige ploegbediening wordt gebruikt. Indien het gebruik enkelvoudige ploegbediening overschrijdt, dan wordt de garantieperiode naar verhouding verkort.
2. Indien het Desoutter product gedurende de garantieperiode gebreken vertoont ten gevolge van een materiaal- en/of constructiefout, dient het Desoutter product binnen de garantietermijn met een korte beschrijving van het defect te worden geretourneerd naar Desoutter of een van haar agenten. Desoutter zal zelf zorgen voor de reparatie of vervanging van de artikelen die duidelijk gebreken vertonen ten gevolge van een materiaal- en/of constructiefout.
3. De garantie komt te vervallen indien de Desoutter producten misbruikt worden, onjuist gebruikt worden of veranderd zijn of indien ze gerepareerd zijn met gebruik van andere onderdelen dan die die worden voorgeschreven door Desoutter of niet door Desoutter of een door Desoutter erkende reparateur.
4. Indien Desoutter kosten zou moeten dragen voor het verhelpen van gebreken veroorzaakt door misbruik, onjuist gebruik, incidentele schade of onbevoegde wijzigingen, dan zullen deze onkosten volledig voor rekening van de klant komen.
5. Desoutter accepteert geen klachten met betrekking tot arbeidskosten of andere kosten geleden wegens de gebrekkige producten.
6. Alle eventuele directe, incidentele of indirecte schades, van welke vorm dan ook, als gevolg van enig gebrek, zijn nadrukkelijk uitgesloten.
7. Deze garantie vervangt alle andere expliciete of impliciete garanties of voorwaarden met betrekking tot de kwaliteit, verkoop of geschiktheid van het product voor enig bepaald doel.
8. Geen enkel persoon, met inbegrip van agenten en werknemers van Desoutter, heeft het recht om iets aan de voorwaarden van deze beperkte garantie toe te voegen of deze op enigerlei wijze te veranderen.

Αρχικές οδηγίες.

© COPYRIGHT 2015, DESOUTTER HP2 7SJ UK

Με την επιφύλαξη όλων των δικαιωμάτων. Απαγορεύεται η χωρίς άδεια χρήση ή η αναπαραγωγή ολόκληρου ή τμήματος του παρόντος. Αυτό ισχύει ειδικότερα για τα κατατεθέντα σήματα, τις ονομασίες των μοντέλων, τον αριθμό εξαρτημάτων και τα σχήματα. Χρησιμοποιείτε αποκλειστικά και μόνο τα εξαρτήματα που επιτρέπονται. Οποιαδήποτε βλάβη ή δυσλειτουργία του μηχανήματος που οφείλεται στη χρήση εξαρτημάτων που δεν επιτρέπονται δεν καλύπτεται από την εγγύηση και ο κατασκευαστής δεν φέρει ουδεμία ευθύνη.

ΣΥΝΘΗΚΕΣ ΧΡΗΣΗΣ

Εργαλείο (κλάση I) κατάλληλο μόνο για βιομηχανικό περιβάλλον. Το προϊόν αυτό πρέπει να χρησιμοποιείται μόνο για σύσφιγξη ή χαλάρωση εξαρτημάτων που έχουν βιδωθεί σε ξύλο, μέταλλο ή πλαστικό.

Δεν επιτρέπεται καμία άλλη χρήση.

Αποκλειστικά για επαγγελματική χρήση.

ΧΑΡΑΚΤΗΡΙΣΤΙΚΑ

(Βλέπε σελίδα 4).

Ηχητική στάθμη: < 70 dB(A) (EN 60 745).

Επίπεδο δονήσεων: < 2,5 m/s² (EN 60 745).

Δήλωση θορύβου & κραδασμών

Όλες οι τιμές είναι σύγχρονες της ημερομηνίας της παρούσας έκδοσης. Για τις πιο πρόσφατες πληροφορίες, παρακαλούμε επισκεφτείτε το διαδικτυακό τόπο desouttertools.com.

Αυτές οι δηλούμενες τιμές λήφθηκαν από δοκιμές εργαστηριακού τύπου σε συμμόρφωση με τα πρότυπα που δηλώθηκαν και δεν είναι επαρκείς για χρήση σε αξιολογήσεις κινδύνου. Οι τιμές που μετρήθηκαν σε ανεξάρτητους χώρους εργασίας μπορεί να είναι υψηλότερες από τις τιμές που έχουν δηλωθεί. Η πραγματικές τιμές έκθεσης και ο κίνδυνος τραυματισμού ατομικού χρήστη είναι μοναδικές και εξαρτώνται από τον τρόπο με τον οποίο εργαζέται ο χρήστης, από το τεμάχιο εργασίας και το σχέδιο του σταθμού εργασίας, όπως και από το χρόνο έκθεσης και τη φυσική κατάσταση του χρήστη. Εμείς, η εταιρία Desoutter, δεν φέρουμε νομική ευθύνη για τις συνέπειες από τη χρήση των δηλωμένων τιμών, αντί των τιμών που αντανακλούν την πραγματική έκθεση, σε μια ανεξάρτητη αξιολόγηση κινδύνου σε μια κατάσταση εργασιακού κινδύνου της οποίας δεν έχουμε τον έλεγχο. Αυτό το εργαλείο μπορεί να προκαλέσει σύνδρομο δόνησης χεριού-βραχίονα, σε περίπτωση ανεπαρκούς διαχείρισης της χρήσης του. Ένα κείμενο

οδηγίων της ΕΕ σχετικά με τη διαχείριση της δόνησης χεριού-βραχίονα μπορείτε να βρείτε στη διεύθυνση http://www.pneurop.eu/uploads/documents/pdf/PN3-02-NV_Declaration_info_sheet_0111.pdf

Συνιστούμε την τήρηση προγράμματος ιατρικής παρακολούθησης, για να αναγνωρίζονται τυχόν αρχικά συμπτώματα που ενδέχεται να σχετίζονται με την έκθεση σε δονήσεις, έτσι ώστε να είναι δυνατή η τροποποίηση των διαδικασιών διαχείρισης και να αποτρέπεται η πρόκληση μελλοντικών σωματικών βλαβών.

Πρόσθετες πληροφορίες δονήσεων

Χρήσιμες πληροφορίες για την πραγματοποίηση πρόχειρων υπολογισμών καθημερινής έκθεσης σε δονήσεις μπορείτε να βρείτε στο CEN/TR 15350: 2006, "Μηχανικές δονήσεις – Οδηγία για την εκτίμηση της έκθεσης σε δονήσεις που μεταδίδονται στο χέρι, με χρήση των διαθέσιμων πληροφοριών που παρέχονται από τους κατασκευαστές μηχανημάτων."

Ο ΔΗΓΙΕΣ ΧΡΗΣΗΣ

Το εργαλείο μπορεί να είναι φορητό ή μπορεί να χρησιμοποιηθεί ως σταθερό εξάρτημα σε κάποιο μηχανήμα.

Φορητό εργαλείο

- Εξοπλίστε το εργαλείο με ένα κατάλληλο εξάρτημα βιδώματος και κατόπιν συνδέστε το στο ρεύμα μέσω της μονάδας ελέγχου.
- Κρατήστε το εργαλείο από τη λαβή και εφαρμόστε το στη βίδα που πρέπει να σφίξετε.
- Πατήστε το μοχλό για να ξεκινήσετε το εργαλείο.
- Το εργαλείο σταματάει όταν φτάσει την προγραμματισμένη ροπή.
- Μετά από κάθε χρήση το εργαλείο χρειάζεται ένα χρόνο ανάπαυσης ίσο με τρεις φορές τη διάρκεια χρήσης.
- Η μη τήρηση αυτής της οδηγίας μπορεί να προκαλέσει υπερθέρμανση του εργαλείου ή ακόμη και βλάβη.
- Μια τέτοια περίπτωση κακής χρήσης του εργαλείου έχει ως αποτέλεσμα την ακυρότητα της εγγύησης.

Καθώς η δύναμη αντίδρασης αυξάνει ανάλογα με τη ροπή σύσφιγξης, βεβαιωθείτε ότι το εργαλείο είναι σε τέλεια κατάσταση λειτουργίας και ότι η μονάδα ελέγχου έχει προγραμματιστεί σωστά, ώστε να αποφευχθεί κάθε απροσδόκητη συμπεριφορά του εργαλείου, που μπορεί να τραυματίσει τον χειριστή.

Έλεγχος και λογισμικό

Τροφοδοσία με ελεγκτή ESP C LT, ESP C, ESP CA LT ή ESP CA ανάλογα με το μοντέλο του εργαλείου.

ΛΙΠΑΝΣΗ



Μη βάζετε πολύ λιπαντικό στα γρανάζια ή τα έδρανα. Μία λεπτή στρώση αρκεί. Χρησιμοποιήστε την ελάχιστη δυνατή ποσότητα λιπαντικού για να σημειώσετε τα εξαρτήματα κατά τη συναρμολόγηση.

ΕΡΓΑΛΕΙΑ

- Όχι συγκεκριμένα εργαλεία.

ΣΥΝΑΡΜΟΛΟΓΗΣΗ ΚΑΙ ΑΠΟΣΥΝΑΡΜΟΛΟΓΗΣΗ

Ακολουθήστε τις συνήθειες πρακτικές μηχανικής και σύμφωνα με το σχήμα, προχωρήστε στη συναρμολόγηση των υποσυνόλων των εξαρτημάτων.

Ο ΔΗΓΙΕΣ ΣΥΝΤΗΡΗΣΗΣ

Η συντήρηση πρέπει να πραγματοποιείται αποκλειστικά από εξειδικευμένο προσωπικό.

- Πριν από κάθε επισκευή: αποσυνδέστε το εργαλείο από το ρεύμα.
- Κατά την αποσυναρμολόγηση – συναρμολόγηση του εργαλείου, λάβετε τα ακόλουθα μέτρα ασφαλείας:
 - Βεβαιωθείτε ότι η κασετίνα βρίσκεται εκτός τάσης.
 - Αποσυνδέστε το καλώδιο.



Κατά την απόσυρση εξαρτημάτων, την απόρριψη λιπαντικών κλπ, βεβαιωθείτε ότι ακολουθούνται οι σχετικές διαδικασίες ασφαλείας.

Σύμφωνα με την Οδηγία 2002/96/ΕΕ για τα απόβλητα ηλεκτρικού και ηλεκτρονικού εξοπλισμού (WEEE), το προϊόν αυτό πρέπει να ανακυκλώνεται.

Επικοινωνήστε με την “Εξυπηρέτηση Πελατών” ή επισκεφθείτε τον ιστοχώρο “www.cp.com”, ώστε να πληροφορηθείτε για τους τόπους συλλογής που προορίζονται για την ανακύκλωση αυτού του προϊόντος.

ΕΓΓΥΗΣΗ DESOUTTER

1. Το συγκεκριμένο προϊόν Desoutter καλύπτεται από εγγύηση που αφορά ελαττώματα στην εργασία ή τα υλικά και η οποία έχει μέγιστη διάρκεια 12 μηνών από την ημερομηνία αγοράς του προϊόντος από την εταιρεία Desoutter ή τους αντιπροσώπους της με την προϋπόθεση ότι, κατά τη διάρκεια της περιόδου αυτής, η χρήση του προϊόντος δεν υπερβαίνει τη διάρκεια της κανονικής διάρκειας. Εάν η διάρκεια χρήσης του προϊόντος υπερβαίνει τη διάρκεια της κανονικής διάρκειας, η διάρκεια ισχύος της εγγύησης θα μειωθεί αναλόγως.
2. Εάν, κατά τη διάρκεια ισχύος της εγγύησης, το προϊόν εμφανίσει ελαττώματα στην εργασία ή τα υλικά, θα πρέπει να επιστραφεί στην εταιρεία Desoutter ή τις αντιπροσωπείες της, συνοδευόμενη από σύντομη περιγραφή του ελαττώματος που εντοπίστηκε. Η εταιρεία Desoutter, κατά την αποκλειστική της ευχέρεια, θα επισκευάσει ή θα αντικαταστήσει, χωρίς χρέωση, τα αντικείμενα που θα κριθούν ελαττωματικά από πλευράς εργασίας ή υλικών.
3. Αυτή η εγγύηση παύει να ισχύει σε περίπτωση κατάχρησης ή ακατάλληλης χρήσης του προϊόντος, καθώς και στην περίπτωση τροποποίησης ή επισκευής των προϊόντων με χρήση μη γνήσιων ανταλλακτικών Desoutter ή στην περίπτωση επισκευών που θα πραγματοποιηθούν από τεχνικούς που δεν αποτελούν προσωπικό της Desoutter ή των εξουσιοδοτημένων αντιπροσωπειών της.
4. Τα έξοδα με τα οποία θα επιβαρυνθεί η Desoutter για την επισκευή βλαβών που προήλθαν από κατάχρηση, κακή χρήση, ατύχημα ή μη εξουσιοδοτημένες τροποποιήσεις, θα γίνουν απαιτητά στο ακέραιο.
5. Η Desoutter δεν αποδέχεται την ευθύνη για χαμένες ώρες εργασίας ή άλλες ζημιές που θα προκληθούν εξαιτίας των ελαττωματικών προϊόντων.
6. Εξαιρούνται ρητώς οποιοσδήποτε άμεσες, έμμεσες ή παρεπόμενες ζημιές που θα προέλθουν από ελαττωματικά προϊόντα.
7. Αυτή η εγγύηση αντικαθιστά όλες τις υπολοίπες εγγυήσεις ή τους ρητούς ή έμμεσους όρους, όσον αφορά την ποιότητα, την εμπροσισιμότητα ή την καταλληλότητα για συγκεκριμένο σκοπό.
8. Κανένας, ούτε αντιπρόσωπος, ούτε συνεργάτης, ούτε εργαζόμενος της Desoutter, δεν έχει την άδεια να κάνει προσθήκες ή τροποποιήσεις στους όρους της συγκεκριμένης περιορισμένης εγγύησης με οποιονδήποτε τρόπο.

原厂说明。

© COPYRIGHT 2015, DESOUTTER HP2 7SJ UK

保留所有权利。未经授权不得使用 and 复制其中全部 或部分内容，特别是商标、型号名称、零件号及图 形。只能使用获得授权的部分内容。对于因未经授权 使用而导致的任何损坏或故障，均不在“担保或 产品保证”范围之内。

使用声明

工具 (class I) 仅适用于工业环境。

应该用于紧固或旋松木质、金属或塑料接头。

不得用于其它目的。

只能用于专业用途。

数据

(请参阅第 4 页) 。

噪声级 : < 70 dB(A) (EN 60 745)

震动级 : < 2.5 m/s² (EN 60 745)

噪声与振动声明

所有值均以发行日时的参数为准。您可登录 desouttertools.com 了解最近信息。

这些公布数值从符合所声明标准的实验室典型测试中获取，不足以用于进行风险评估。在个别工作场所中所测量的数值可能比公布的数值更高。个别使用者所经历的实际暴露数值和伤害风险具有其独特性，并依据使用者的工作方式、工件以及工作站的设计，以及使用者的暴露时间和身体条件而各有差异。我们，芝加哥气动工具有限公司，不能因使用公布数值而非反映实际暴露量数值而承担任何后果，也不对非我方控制下的工作场所条件内的个别风险评价承担责任。

如该工具使用不当，会引起手臂震动综合征。您可登录 http://www.pneurop.eu/uploads/documents/pdf/PN3-02-NV_Declaration_info_sheet_0111.pdf 获得应对震动的 EU 指南。

我们建议对由噪音和震动引起的早期症状要及时进行健康体检，以对操作程序进行调整，避免将来的身体的损害。

附加振动信息

为了对日常的振动接触进行粗略的估计，可在 CEN/TR 15350 : 2006“机械振动 – 使用机器说明，包括机械供方说明中对手臂振动负荷的评定指南”中找到有用信息。

操作模式

该工具既可用作手持式工具，也可以用作其他工具上的固定轴。

手持式工具

- 给工具装配一个合适的紧固附件，然后通过控制器与电源连接。
- 通过手柄抓住工具并将其施加到需要紧固的紧固件上。
- 请按控制杆启动工具。
- 达到预设扭矩时工具将停止运行。
- 每运行 1 秒，电动机需要暂停 3 秒。
- 如果不按此执行，可能会导致电动机过热甚至完全损坏。
- 这将被视为误操作，不在担保范围之内。

当与紧固扭矩成比例的反作用力增强时，要确保工具运转良好且控制器的程序设置正确，以降低由工具的意外行为而对操作人员造成的伤害风险。

控制和软件

通过 ESP C LT、ESP C、ESP CA LT、ESP CA 供电，具体视型号而定。

润滑



切勿在齿轮或轴承上涂抹过多润滑油，薄薄涂一层就够了。

涂抹的润滑油越少，在组装时越容易识别各个部件。

工具

- 不需要特殊工具。

组装和拆卸

请遵守标准工程惯例并参阅子部件集合的固定图。

维护说明

维护工作只能由具备一定资格的人员执行。

- 任何维护工作开始之前：请断开该工具
- 拆卸/重装该工具时，请采取下列防范措施：
 - 检查控制器是否切断电源，
 - 断开电缆。



在处置部件、润滑剂等物品时，请确保执行了相关的安全程序。

根据废弃电器电子设备 (WEEE) 之 2002/96/CE 指令，本产品必须进行回收。

请联系您的“客户中心”或访问网站（网址为 www.cp.com）来查找本产品的回收地址。

DESOUTTER 保证

1. Desoutter 产品保证无工艺或材料缺陷，并具有自从 Desoutter 或其代理商购买之日起 12 个月的最长保证期，条件是在此期间产品仅限于单班操作。如果使用率超过了单班操作，则保证期应按比例缩减。
2. 保证期内，如果产品出现了工艺或材料缺陷，应将其退回 Desoutter 或其代理商，并附上缺陷的简短说明。Desoutter 应行使完全酌情权，对被认为有工艺或材料缺陷的产品做免费维修或更换处理。
3. 此保证将对下列产品停止适用：被滥用、误用或修改了的产品，使用非真正 Desoutter 备用零件维修过的产品及由非 Desoutter 或其授权服务机构人员维修过的产品。
4. 若 Desoutter 在矫正源于滥用、误用、意外损坏或非授权更改的缺陷时发生了任何费用，他们将要求对方全额支付这笔费用。
5. Desoutter 不接受由于缺陷产品造成的人工费或其它费用的索赔。
6. 明确排除源于缺陷的任何直接、偶然或必然损害赔偿金。
7. 此保证将代替关于质量、商品适销性或特定用途的适用性等方面的所有其它（条件性、明示或暗示的）保证。
8. 任何人（无论是 Desoutter 的代理商、服务人员还是职员）都无权以任何方式添加或修改此有限保证的各项条款。

Eredeti utasítások.

© COPYRIGHT 2015, DESOUTTER HP2 7SJ UK

Minden jog fenntartva. Bárminemű helytelen, illetéktelen, teljes vagy részleges felhasználás tilos. Különösen vonatkozik ez a védett márkákra, modellek elnevezésére, alkatrész- és rajkszámra. Kizárólag csak az engedélyezett alkatrészek használhatók. Bárminemű olyan kár vagy rossz működés esetén, amely nem engedélyezett alkatrész felhasználásából ered, a termékgarancia nem vehető igénybe és ezekért a gyártó nem felel.

ALKALMAZÁSRA VONATKOZÓ NYILATKOZAT

A szerszám (I. osztály) csak ipari környezetben történő használatra alkalmas.

Kizárólag fába, fémbe vagy műanyagba behajtott csavarok segítségével összeállított szerkezetek összeilletve szétszerelésére használható.

Bármilyen más célra történő alkalmazása tilos.

Kizárólag professzionális használatra.

ADATOK

(Lásd A 4. oldalt).

Zajszint: < 70 dB(A). (EN 60 745).

Vibrációs szint: < 2,5 m/s². (EN 60 745).

Zaj- és rezgés-nyilatkozat

Az összes feltüntetett érték a jelen kiadvány dátumakor érvényes. A legfrissebb adatokért kérjük, látogassa meg az www.desouttertools.com internetes címet.

Ezeket a közölt értékeket laboratóriumi vizsgálatokkal nyerték a megadott szabványokkal összhangban, és nem alkalmasak kockázatfelméréshez. Az egyes munkahelyeken mért értékek nagyobbak lehetnek, mint a deklarált értékek. A tényleges behatási értékek és az egyéni felhasználó által elszenvedett károsodás kockázata egyediek és függenek a felhasználó munkavégzésének módjától, a munkadarabtól és a munkahely kialakításától, valamint a behatás időtartamától és a felhasználó fizikai állapotától. Mi, a Desoutter, nem lehetünk felelősek a tényleges behatást tükröző értékek helyett a deklarált értékeknek olyan munkahelyi helyzet értékelésében történő felhasználásának következményeire, amelyre nincs ráhatásunk.

Ez a szerszám a kéz és a kar rezgését okozhatja nem megfelelő használatát esetén. A kézi és kari rezgésekkel foglalkozó EU-útmutató a következő helyen tölthető le: http://www.pneurop.eu/uploads/documents/pdf/PN3-02-NV_Declaration_info_sheet_0111.pdf

Égészfelmérési programot ajánlunk az olyan korai tünetek felismerésére, amelyek kapcsolatban állhatnak a rezgési terheléssel, hogy az eljárásokat módosítani lehessen a helyzet további romlásának megakadályozására.

További információ a rezgésekkel kapcsolatban

A napi rezgési igénybevétel durva becsléséhez hasznos információ található a CEN/TR 15350 dokumentumban: 2006. "Mechanikai rezgés – Irányelv a kéz által átvitt rezgésterhelés felméréséhez a rendelkezésre álló információ, többek között a gépi berendezések gyártói által nyújtott információ felhasználásával."

ALKALMAZÁSI MÓD

A szerszám használható kéziszerszámként, és használható egy szerszám rögzített forgórészeként.

Kéziszerszámként

- Szerelje fel a szerszámot a megfelelő behajtó tartozékkal, majd a vezérlő segítségével csatlakoztassa a tápfeszültséghez.
- Tartsa a szerszámot a fogantyúnál fogva, és alkalmazza a kívánt rögzítési művelethez.
- A szerszám elindításához nyomja meg az indítókart.
- Az előre beállított nyomatékérték elérésével a szerszám leáll.
- Minden másodperc üzemidőért a motor három másodpercnyi pihenőt igényel.
- Ha ezt nem tartja be, a motor túlmelegedhet, és végső fokon károsodhat is.
- Ez nem megfelelő használatnak minősül és a garancia érvénytelenné válik.

Mivel az ellenerő a behajtási nyomatékka arányosan növekszik, győződjön meg arról, hogy a szerszám tökéletes állapotban van-e, és a vezérlőegység helyesen van-e beprogramozva, nehogy a szerszám váratlan viselkedése sérülést okozzon.

Vezérlés és szoftver

Üzemeltetés ESP C LT, ESP C, ESP CA LT, ESP CA típusú áramforrásokról, a modell függvényében.

KENÉS



Nem szabad a hajtást vagy a csapágyazást túlzásrozni, egy vékony réteg is elég.

Minimális mennyiségű zsir alkalmazása esetén szereléskor az alkatrészeket is könnyebb felismerni.

SZERSZÁMOK

- Nincs szükség speciális szerszámokra.

ÖSSZE- ÉS SZÉTSZERELÉS

Kövesse a szokásos mérnöki gyakorlatot, és végezze a szét- illetve összeszerelést az ábráknak megfelelően.

KARBANTARTÁSI UTASÍTÁSOK

A karbantartást csak szakképzett személy végezheti.

- A szerszám tápfeszültség vezetékét minden karbantartási művelet előtt húzza ki a hálózati csatlakozóból.
- A szerszám szét- és összeszerelése során tartsa be a következő óvintézkedéseket:
 - Ellenőrizze, hogy a vezérlő egység ki vane kapcsolva,
 - Húzza ki a kábelt.



Alkatrészek, kenőanyagok eltávolítása előtt ellenőrizni kell a biztonsági előírások betartását.

Az elektromos és elektronikus termékek hulladékairól (WEEE) szóló 2002/96/EK irányelv értelmében a terméket újra kell hasznosítani.

A termék újrahasznosításával kapcsolatos információért kérjük, lépjen kapcsolatba ügyfélszolgálatunkkal, vagy keresse fel a www.cp.com oldalt.

DESOUTTER GARANCIA

1. E Desoutter termékre a Desoutter-től vagy ügynökeiktől való megvásárlás napját követő maximum 12 hónapra van garancia hibás szerelés vagy anyaghiba esetére, feltéve, hogy a használata ezen időszak alatt egyműszakos üzemeltetésre korlátozódik. Ha a használat mértéke meghaladja az egyműszakos üzemeltetést, a garanciális időszak arányosan csökken.
2. Ha a garanciális időszak alatt a termék meghibásodik hibás szerelés vagy anyaghiba miatt, vissza kell küldeni a Desoutter-nek vagy ügynökeinek, az állítólagos hiba rövid leírásával együtt. A Desoutter, saját belátása szerint, díjmentesen intézkedik az ilyen, hibás szerelés vagy anyaghiba miatt meghibásodott tételek javításáról vagy cseréjéről.
3. E garancia érvénytelenné válik az olyan termékek esetében, amelyeket nem előírászerűen, nem rendeltetésszerűen használtak vagy módosítottak, vagy amelyeket nem eredeti Desoutter pótalkatrészekkel vagy a Desoutter étől eltérő pótalkatrészekkel vagy nem az általa engedélyezett szervizben javítottak.
4. Amennyiben a Desoutter részéről felmerülne bármi költség a nem előírászerű, nem rendeltetésszerű használatból, káreseményből vagy illetéktelen módosításból eredő hiba kijavítása miatt, követelni fogja az ilyen költségek maradéktalan megtérítését.
5. A Desoutter nem fogad el semmilyen igényt a hibás termékekkel kapcsolatos munkaerő- és más költségek tekintetében.
6. Bármiféle hibából eredő bármilyen közvetlen, eseti vagy következményes kár kifejezetten ki van zárva.
7. E garancia a minőséget, a forgalomképességet vagy bármilyen adott célra való alkalmasságot tekintve minden egyéb, kifejezett vagy beleértett garanciát vagy feltételt helyettesít.
8. Senki, a Desoutter semmilyen ügynöke, megbízottja vagy alkalmazottja sem jogosult semmilyen módon megváltoztatni vagy módosítani e korlátozott garancia feltételeit.

Orīģinālinstrukcijas.

© COPYRIGHT 2015, DESOUTTER HP2 7SJ UK

Visas tiesības aizsargātas. Jebkāda neatļauta pamācības saturs vai tā daļu kopēšana vai izmantošana aizliegta. Tas īpaši attiecas uz preču zīmēm, modeļu nosaukumiem, daļu numuriem un zīmējumiem. Izmantojiet tikai paredzētās detaļas. Bojājumi vai kļūmes, kas radušies neparedzētu detaļu izmantošanas dēļ, nav iekļauti garantijas un izstrādājuma atbildības nosacījumos.

PAZIŅOJUMS PAR ATĻAUTO LIETOŠANU

Instrumenti (1. klase) paredzēti lietošanai tikai rūpnieciskā vidē.

Tas paredzēts koka, metāla un plastikāta materiālu savienojumu pievilksšanai un atbrīvošanai.

Cits lietojums nav pieļaujams.

Tikai profesionālai lietošanai.

INFORMĀCIJA

(Skatīt 4. lappusi.).

Trokšņa līmenis: < 70 dB(A) (EN 60 745).

Vibrāciju līmenis: < 2.5 m/s² (EN 60 745).

Trokšņa & vibrāciju deklarācija

Visas vērtības ir spēkā izdošanas datumā. Jaunāko informāciju skatiet desouttertools.com.

Šīs pieteiktās vērtības iegūtas, veicot laboratorijas pārbaudes saskaņā ar noteiktajiem standartiem, un nav piemērotas risku novērtēšanai. Vērtības, kas iegūtas atsevišķās darba vietās, var būt augstākas par pieteiktajām vērtībām. Patiesās iedarbības vērtības un atsevišķa lietotāja pieredzētais bojājumu risks ir unikāls un atkarīgs no lietotāja darba, apstrādājamās detaļas un darba vietas konstrukcijas, kā arī no iedarbības ilguma un lietotāja fiziskā stāvokļa. Mēs, Desoutter, nevaram nest atbildību par sekām, kas rodas, ja pieteiktās vērtības tiek izmantotas patieso iedarbību atspoguļojošu vērtību vietā, veicot individuālu riska novērtējumu darba vietā un situācijā, ko nespējam kontrolēt.

Šis rīks var izraisīt plaukstu-roku vibrācijas sindromu, ja tas netiek lietots pareizi. ES norādījumi par plaukstu-roku vibrāciju pieejami vietnē http://www.pneurop.eu/uploads/documents/pdf/PN3-02-NV_Declaration_info_sheet_0111.pdf

Iesakām izmantot veselības novērošanas programmu, lai atklātu agrīnus simptomus, kas varētu būt saistīti ar vibrācijas iedarbību, vai varētu mainīt atbilstošo darba organizāciju, nepieļaujot turpmāku stāvokļa pasliktināšanos.

Papildinformācija par vibrāciju

Lai veiktu aptuvenus aprēķinus ikdienas vibrācijas iedarbībai, noderīga informācija atrodama standartā CEN/TR 15350: 2006. gads, "Mehāniskā vibrācija. Vadlīnijas uz rokām pārvadītās vibrācijas ekspozīcijas novērtēšanai, izmantojot pieejamo informāciju, ieskaitot mašīnu un iekārtu ražotāju sniegto informāciju".

LIETOŠANAS PAMĀCĪBA

Instrumentu var lietot, turot rokās, vai arī kā kādam darbarīkam piestiprinātu vārpstu.

Rokas instrumenti

- Piestipriniet instrumentu ar piemērotu stiprināšanas piederumu, pēc tam pieslēdziet to barošanai, izmantojot kontrolleri.
- Turiet instrumentu aiz roktura un izmantojiet ar stiprinājumu, kuru jāpievelk.
- Nospiediet sviru, lai iedarbinātu instrumentu.
- Instruments izslēdzas, kad tiek sasniegts iepriekš iestatītais griezes moments.
- Uz katru motora darbības sekundi, tam nepieciešama 3 sekundes ilga atslodze.
- To neievērojot, motors var pārkarst un sabojāties.
- Šāda rīcība tiks uzskatīta par nepareizu izmantošanu, un garantija uz to neattiecas.

Reakcijas spēkam pieaugot proporcionāli pievilksšanas griezes momentam, pārliecinieties, vai instruments ir darba kārtībā un kontrolleris ir pareizi ieprogrammēts, lai samazinātu nekontrolētas instrumenta darbības ievainojumu risku.

Vadīšana un programmatūra

Strāvas padeve, izmantojot ESP C LT, ESP C, ESP CA LT, ESP CA, atkarībā no modeļa.

EĻĻOŠANA



Neapziediet zobratus un gultņus ar pārāk lielu smērvielas daudzumu, jo pietiek jau ar plānu pārklājumu. Ja smērvielas nav pārāk daudz, tad ir arī vieglāk pazīt detaļas salikšanas laikā.

DARBARĪKI

- Īpaši darbarīki nav vajadzīgi.

DEMONTĀŽA UN MONTĀŽA

Ievērojiet vispārpieņemto tehnisko praksi un daļu detaļu montāžas secības numurus.

APKOPES INSTRUKCIJAS

Apkope jāveic tikai kvalifi cētām personām.

- Pirms apkopes darbiem atvienojiet instrumentu.
- Demontējot/montējot instrumentu, veiciet šādus drošības pasākumus:
 - Pārbaudiet, vai ir izslēgts kontroleris.
 - Atvienojiet kabeli.



Utilizējot komponentus, smērvielas utt., nodrošiniet, lai tiktu veiktas atbilstošās drošības procedūras.

Atbilstoši Direktīvai 2002/96/ES par elektriskā un elektroniskā aprīkojuma atkritumiem (WEEE) šis produkts ir otrreizēji jāpārstrādā.

Lūdzu, sazinieties ar savu "Klientu atbalsta centru" vai apmeklējiet tīmekļa vietni "www.cp.com", lai uzzinātu, kur produktu pārstrādāt.

DESOUTTER GARANTĪJA

1. Šim Desoutter ražojumam ir garantija pret nekvalitatīvu apdari vai materiāliem maksimālajam laika periodam līdz 12 mēnešiem, skaitot no datuma, kad ražojums iegādāts no Desoutter vai tā aģentiem, ar noteikumu, ka šī ražojuma lietošana visā garantijas laika periodā tiek ierobežota līdz darbam vienā maiņā. Ja lietošanas biežums pārsniedz vienas maiņas darba laiku, garantijas periods ir proporcionāli jāsaīšina.
2. Ja garantijas laikā tiek atklāti ražojuma apdares vai materiāla bojājumi, tas jānogādā atpakaļ Desoutter vai tā aģentiem kopā ar Tsu attiecīgā bojājuma aprakstu. Desoutter pilnībā pēc saviem ieskatiem ir jāveic to komponentu bezmaksas remonts vai nomaiņa, kuri tiek uzskatīti par bojātiem un izraisījuši nekvalitatīvu darbību, veicot apdares darbus vai strādājot ar materiāliem.
3. Šī garantija neattiecas uz ražojumiem, kuri ir neatbilstoši ekspluatēti, pārveidoti vai kuru remontam nav izmantotas oriģinālās Desoutter rezerves daļas un to nav veicis Desoutter vai tā autorizētie apkopes aģenti.
4. Ja, novēršot bojājumu, kura cēlonis ir ražojuma neatļauta, nepareiza ekspluatācija, nejaušs bojājums vai neatļauta pārveidošana, Desoutter rodas jebkāda veida izdevumi, tad Desoutter pieprasīs, lai šādi izdevumi tiktu pilnībā segti.
5. Desoutter nepieņem nekāda veida pretenzijas attiecībā uz darba vai cita veida izdevumiem, kas radušies saistībā ar nekvalitatīviem izstrādājumiem.
6. Jebkāda veida tieši, netieši vai izrietoši bojājumi, kas radušies no jebkāda veida defekta, tiek viennozīmīgi izslēgti.
7. Šī garantija aizstāj visas pārējās garantijas vai nosacījumus, kuri izteikti vai domāti par kvalitāti, tirdzniecību vai piemērotību jebkuram noteiktam mērķim.
8. Neviens persona, vai tā būtu Desoutter aģents, darbinieks vai nodarbinātais, nav tiesīga jebkāda veidā papildināt vai mainīt šīs ierobežotās garantijas noteikumus.

Oryginalne instrukcje.

© COPYRIGHT 2015, DESOUTTER HP2 7SJ UK

Wszelkie prawa zastrzeżone. Wszelkie bezprawne użycie lub kopiowanie całości lub części jest zabronione. Odnosi się to w szczególności do marek zastrzeżonych, nazw modeli, numerów części i schematów. Używać tylko części dozwolonych. Fabrykant nie ponosi odpowiedzialności za wszelkie szkody lub złe funkcjonowanie spowodowane użyciem niedozwolonej części.

DEKLARACJA UŻYTKOWANIA

Przyrząd (klasa I) dostosowany jest tylko do warunków środowiska przemysłowego.

Stosowany może być tylko do dokręcania lub odkręcania śrub czy wkrętów na elementach łączonych z drewna, metalu lub tworzyw sztucznych.

Służy tylko do użytku zawodowego.

Niedozwolone jest jakiegokolwiek inne użytkowanie przyrządu.

DANE TECHNICZNE

(Patrz str. 4).

Poziom hałasu: < 70 dB(A). (EN 60 745)

Poziom wibracji: < 2,5 m/s². (EN 60 745)

Określenie hałasu i wibracji

Wszystkie wartości obowiązują od daty niniejszej publikacji. Najnowsze informacje można znaleźć pod adresem desouttertools.com.

Podane wartości określono na podstawie testów laboratoryjnych zgodnie z określonymi normami.

Wartości te nie są wystarczające do określenia potencjalnego ryzyka. Wartości określone dla poszczególnych stanowisk pracy mogą być wyższe niż wartości podane. Rzeczywiste narażenie i ryzyko indywidualnego użytkownika zależy od sposobu wykonywania i przedmiotu pracy, organizacji stanowiska pracy, czasu jej wykonywania i stanu fizycznego pracownika. Desoutter nie bierze odpowiedzialności za konsekwencje stosowania zadeklarowanych wartości narażenia na wibracje zamiast wartości wyrażających rzeczywiste narażenie w indywidualnej sytuacji w miejscu pracy, nad którym nie sprawuje kontroli.

W przypadku niewłaściwego użytkowania, narzędzie może powodować syndrom drgań przekazywanych na kończyny górne (ang. hand-arm vibration) Poradnik unijny dotyczący emisji drgań przekazywanych na kończyny górne można odnaleźć na stronie http://www.pneurop.eu/uploads/documents/pdf/PN3-02-NV_Declaration_info_sheet_0111.pdf

Zalecamy przeprowadzanie badań okresowych, mających na celu wykrycie objawów związanych z działaniem drgań, aby umożliwić zmianę procedur i zapobiec dalszemu pogorszeniu stanu zdrowia.

Dodatkowe informacje o drganiach

Informacje pomocne przy szacowaniu średniego dziennego narażenia na drgania można odnaleźć w CEN/TR 15350: 2006, "Drgania mechaniczne – Wytyczne dotyczące oceny działania drgań przekazywanych na kończyny górne, przy wykorzystaniu informacji dostarczonych przez producenta sprzętu."

SPOSÓB UŻYTKOWANIA

Narzędzie należy przytrzymywać ręką lub używać jako stałe wrzeczono na narzędziu.

Narzędzie przytrzymywane ręką

- Należy wyposażyć niniejszy przyrząd w odpowiednie oprzyrządowanie do wkręcania / wykręcania śrub i wkrętów i podłączyć go do sieci zasilającej poprzez łącze nastawnika.
- Trzymać przyrząd za uchwyt podczas dokręcania wyrobu.
- Naciśnij dźwignię, aby uruchomić narzędzie.
- Narzędzie zatrzymuje się po osiągnięciu ustawionej wartości momentu dokręcania.
- Przed kolejną operacją dokręcania silnik musi mieć 3 sekundy pauzy.
- Nieprzestrzeganie tej zasady może spowodować przegrzanie, którego skutkiem będzie uszkodzenie.
- Jest to traktowane jako błąd obsługi, a tego typu uszkodzenie nie jest objęte gwarancją.

Ponieważ siła reakcji na przyrządzie rośnie proporcjonalnie do momentu obrotowego dokręcania – należy upewnić się, że przyrząd jest w doskonałym stanie technicznym i że urządzenie sterujące jest prawidłowo zaprogramowane – w celu uniknięcia wszelkich nieprzewidywalnych zachowań się przyrządu, mogących skaleczyć operatora.

Sterowanie i oprogramowanie

Zasilanie z ESP C LT, ESP C, ESP CA LT, ESP CA, zależnie od modelu.

SMAROWANIE



Nie należy nakładać zbyt dużo smaru na koła zębate lub łożyska, nałożenie cienkiej warstwy w zupełności wystarczy. Dla ułatwienia identyfikacji elementów, podczas montażu należy nakładać minimalną ilość smaru.

NARZĘDZIA

- Nie potrzeba narzędzi specjalnych.

SKŁADANIE I DEMONTAŻ

Należy postępować zgodnie z normalną praktyką techniczną a montaż podzespołów i komponentów należy prowadzić posługując się odpowiednimi rysunkami.

INSTRUKCJA KONSERWACJI

Konserwacja winna być wykonywana wyłącznie przez wykwalifiki kowany.

- Przed podjęciem jakichkolwiek prac konserwacyjnych – przede wszystkim należy odłączyć przyrząd od zasilania.
- Podejmując demontaż czy montaż przyrządu – należy zachować następujące środki ostrożności:
 - sprawdzić czy skrzynka przyłączeniowa nie znajduje się pod napięciem,
 - odłączyć przewód zasilający.



Zanim podejmie się jakiegokolwiek usuwanie części i komponentów, olejów i smarów itp. z przyrządu należy upewnić się czy przestrzegane są właściwe procedury bezpieczeństwa.

Zgodnie z Dyrektywą 2002/96/CE dotyczącą odpadów takich jak urządzenia elektryczne i elektroniczne (WEEE), produkt ten podlega recyklingowi.

Prosimy o skontaktowanie się z serwisem obsługi klienta lub sprawdzenie na stronie internetowej www.cp.com adresów miejsc zbiórki tego typu produktów przeznaczonych do recyklingu.

GWARANCJA FIRMY DESOUTTER

1. Niniejszy produkt firmy Desoutter jest objęty gwarancją z tytułu wadliwego wykonania lub wad materiałowych przez okres maksymalnie 12 miesięcy od daty zakupu od firmy Desoutter lub jej przedstawicieli, pod warunkiem, że jego użytkowanie jest ograniczone w tym okresie do pracy jednozmianowej. Jeżeli intensywność użytkowania wykracza ponad pracę jednozmianową, okres gwarancji zostanie proporcjonalnie skrócony.
2. Jeżeli w okresie gwarancyjnym produkt wykazuje prawdopodobne wady produkcyjne lub materiałowe, powinien zostać zwrócony do firmy Desoutter lub jej przedstawicieli wraz z krótkim opisem domniemanej wady. Firma Desoutter zapewni, według swojego uznania, nieodpłatną naprawę lub wymianę elementów, które zostaną uznane za wadliwe z powodu wad w wykonawstwie lub wad materiałowych.
3. Niniejsza gwarancja nie ma zastosowania do produktów, które były używane nadmiernie lub niezgodnie z przeznaczeniem lub zostały zmodyfikowane, lub które zostały naprawione za pomocą części zamiennych innych niż oryginalne części firmy Desoutter lub naprawione przez kogoś innego niż firma Desoutter lub jej autoryzowane punkty serwisowe.
4. Jeżeli firma Desoutter poniesie jakiegokolwiek koszty naprawiając wadę wynikłą z nadmiernego lub niewłaściwego użytkowania, uszkodzeń przypadkowych lub nieautoryzowanych modyfikacji, firma będzie wymagać pokrycia takich kosztów w pełnej kwocie.
5. Firma Desoutter nie uznaje roszczeń z tytułu kosztów robocizny lub innych wydatków poniesionych w związku z wadliwymi produktami.
6. Wszelkie bezpośrednie, uboczne lub wtórne szkody wynikłe z jakichkolwiek wad są wyraźnie wykluczone z gwarancji.
7. Niniejsza gwarancja udzielana jest w miejsce wszelkich innych gwarancji lub warunków, wyraźnych lub domniemanych, dotyczących jakości, przydatności handlowej lub przydatności do jakiegokolwiek innego konkretnego celu.
8. Żaden przedstawiciel, firma podległa lub pracownik firmy Desoutter, ani jakakolwiek inna osoba nie jest upoważniona do jakiegokolwiek rozszerzania lub modyfikowania warunków niniejszej ograniczonej gwarancji.

Původní pokyny.

© COPYRIGHT 2015, DESOUTTER HP2 7SJ UK

Všechna práva vyhrazena. Jakékoli neoprávněné použití nebo kopírování obsahu tohoto dokumentu nebo jeho části je zakázáno. Toto platí zejména pro ochranné známky, označení modelu, čísla součástí a výkresy. Používejte pouze originální díly. Záruka ani odpovědnost za výrobek se nevztahují na žádné škody nebo nefunkčnost způsobené použitím neoriginálních dílů.

PROHLÁŠENÍ K POUŽITÍ VÝROBKU

Nástroj (třída I) vhodný pouze pro průmyslové prostředí.

Je určen k utahování nebo povolování spojů v dřevěných, kovových, nebo umělohmotných materiálech.

Žádné jiné použití není povoleno.

Pouze pro profesionální účely.

TECHNICKÉ ÚDAJE

(viz strana 4).

Hlučnost: < 70 dB(A) (EN 60 745).

Úroveň vibrací: < 2,5 m/s² (EN 60 745).

Prohlášení o hluku a vibracích

Všechny hodnoty platí k datu vydání této publikace. Nejnovější informace naleznete na webových Stránkách desoutertools.com.

Tyto vyhlášené hodnoty byly získány laboratorním testováním v souladu s uvedenými standardy a nejsou vhodné pro použití k vyhodnocení rizika. Hodnoty naměřené na individuálních pracovištích mohou být vyšší než vyhlášené hodnoty. Skutečné hodnoty vystavení a rizika poškození individuálního uživatele jsou jedinečná a závisí na tom, jak uživatel pracuje, na designu nástroje a pracovní stanice i na času vystavení a fyzickém stavu uživatele. Společnost Desoutter nemůže zodpovídat při vyhodnocení individuálního rizika na pracovišti, nad kterým nemá kontrolu, za následky používání prohlášených hodnot místo hodnot odrážejících skutečné vystavení riziku.

Toto nářadí může při nesprávném používání způsobovat syndrom chvění rukou/paží. Příručku EU popisující, jak se vypořádat s vibracemi rukou/paží, najdete na http://www.pneurop.eu/uploads/documents/pdf/PN3-02-NV_Declaration_info_sheet_0111.pdf

Doporučujeme program zdravotního dohledu umožňující včasné odhalení symptomů, které mohou souviset se zatížením vibracemi, aby bylo možné upravit řídicí procesy s cílem předcházení budoucím újmám.

Doplňující informace k vibracím

Pro provádění přibližného odhadu denního zatížení vibracemi lze najít užitečné informace v CEN/TR 15350: 2006, „Mechanické vibrace – Směrnice pro stanovení zatížení vibracemi přenášenými na ruku za použití dostupných informací včetně informací dodaných výrobcem stroje.“

PROVOZNÍ REŽIM

Nástroj může být použit jako přenosný nebo napevno připojený ke stroji.

Přenosný nástroj

- Upněte nástroj do vhodného držáku a přes ovládací skříňku jej zapojte do elektrického zdroje.
- Uchopte nástroj za rukojeť a nasadte na šroubovaný spoj.
- Nástroj zapnete stisknutím spouštěcí páky.
- Nástroj se zastaví, když je dosaženo přednastaveného kroutícího momentu.
- Na každou sekundu provozu potřebuje motor tři sekundy v klidu.
- Pokud tomu tak není, hrozí nebezpečí přehřátí a poškození motoru.
- To bude považováno za nesprávné použití a v takovém případě nelze uplatnit záruku.

Reakční síla stoupá s kroutícím momentem utahování – ujistěte se, že je nástroj v dokonalém pracovním stavu a že je ovládací skříňka správně naprogramována. Předejdete tím zranění obsluhy v důsledku neočekávaného chování nástroje.

Ovládání a software

Napájení pomocí ESP C LT, ESP C, ESP CA LT, ESP CA v závislosti na modelu.

MAZÁNÍ



Nepoužívejte příliš mnoho maziva na převody a ložiska: tenká vrstva postačí. Použijte minimální množství maziva pro snazší identifikaci kací komponentů při montáži.

NÁSTROJE

- Žádné speciální nástroje.

MONTÁŽ A DEMONTÁŽ

Při montáži dílčích celků a součástí postupujte podle standardní technologické praxe. Vodicího naleznete na obrázku.

POKYNY K ÚDRŽBĚ

Údržbu smí provádět pouze kvalifikovaný personál.

- Než zahájíte jakoukoliv údržbu : odpojte nástroj.
- Při demontáži a opětovné montáži nástroje dodržujte následující:
 - zkontrolujte, zda je ovládací skříňka vypnuta,
 - odpojte kabel.



Při odstraňování složek, maziv, atd... zajistěte, aby byly dodrženy příslušné bezpečnostní postupy.

V souladu se Směrnicí 2002/96/ES o odpadních elektrických a elektronických zařízeních (OEEZ) musí být tento výrobek zrecyklován.

Obraťte se prosím na zákaznické centrum nebo navštivte internetové stránky www.cp.com, kde naleznete seznam sběrných míst.

ZÁRUKA FIRMY DESOUTTER

1. Na výrobek Desoutter platí záruka proti vadnému provedení nebo materiálu na maximální období 12 měsíců od data nákupu od firmy Desoutter nebo jejich zástupců za předpokladu, že jeho použití je omezeno na jednosměrný provoz po tomto období. Pokud míra použití překročí míru použití během jednosměrného provozu, záruční období bude poměrným dílem zkráceno.
2. Pokud se bude v záruční době výrobek jevit jako vadný z hlediska provedení nebo materiálu, je třeba zaslat výrobek zpět firmě Desoutter nebo jejím zástupcům spolu se stručným popisem údajné vady. Firma Desoutter podle vlastního uvážení zajistí bezplatnou opravu nebo výměnu takové položky, u které se domnívá, že vada je způsobena chybným provedením nebo vadou materiálu.
3. Platnost této záruky zaniká u výrobků, se kterými se hrubě nebo nesprávně zacházelo, které byly modifikovány nebo opraveny s použitím jiných než originálních náhradních dílů Desoutter anebo někým jiným než firmou Desoutter anebo jejich autorizovanými servisními středisky.
4. Pokud firmě Desoutter vzniknou náklady na základě opravy vady, která vznikla hrubým nebo nesprávným použitím, náhodným poškozením anebo neschválenou modifikací, firma bude požadovat jejich plnou náhradu.
5. Firma Desoutter nepřijímá nároky na odškodnění za práci ani za jiné vydaje žádané u vadných výrobků.
6. Náhrady jakýchkoli přímých, náhodných nebo následných škod následkem jakékoliv vady se výslovně vylučují.
7. Tato záruka nahrazuje všechny ostatní záruky nebo výslovné či odvozené podmínky, týkající se kvality, obchodovatelnosti nebo způsobilosti k určitému účelu.
8. Nikomu, ať se jedná o zástupce, úředníka nebo zaměstnance firmy Desoutter, není povoleno žádným způsobem doplňovat či měnit podmínky této omezené záruky.

Pôvodné pokyny.

© COPYRIGHT 2015, DESOUTTER HP2 7SJ UK

Všetky práva vyhradené. Neoprávnené použitie alebo kopírovanie obsahu alebo jeho častí je zakázané. To sa týka najmä výrobných značiek, modelových denominácií, čísel súčiastok a výkresov. Používajte iba autorizované súčiastky. Poškodenie alebo nesprávne fungovanie spôsobené použitím neautorizovaných súčiastok nie je kryté v Záruke alebo v Záručnom liste výrobku.

DEKLARÁCIA O POUŽITÍ

Nástroj (trieda I) vhodný iba pre použitie v priemyselnom prostredí.

Má sa používať na ut'ahovanie alebo uvoľňovanie spojov v drevených, kovových alebo umelohmotných materiáloch.

Nesmie sa používať na žiadne iné účely.

Je určený iba pre použitie kvalifikovaným personálom.

ÚDAJE

(Vid'. strana 4).

Hladina akustického tlaku: < 70 dB(A)
(EN 60 745).

Vážená efektívna hodnota zrýchlenia vibrácií:
<2.5 m/s² (EN 60 745).

Vyhľadanie o hluku a vibráciách

Všetky hodnoty sú aktuálne k dátumu zverejnenia. Najnovšie informácie nájdete na stránke desouttertools.com.

Tieto uvádzané hodnoty boli získané testovaním laboratórneho typu v súlade s uvedenými štandardmi a nie sú dostatočné na použitie na vyhodnotenie rizika. Hodnoty merané na jednotlivých pracoviskách môžu byť vyššie než vyžadované hodnoty. Skutočné expozičné hodnoty a riziko a škody, ktoré utrpí jednotlivý používateľ, sú jedinečné a záležia na spôsobe, ako používateľ pracuje, pracovnom nástroji a návrhu pracovnej stanice, ako aj na časovej expozícii a fyzickom stave používateľa. My, spoločnosť Desoutter, nemôžeme byť bráni na zodpovednosť za používanie uvedených hodnôt namiesto hodnôt odrážajúcich skutočnú expozíciu pri jednotlivom hodnotení rizika a situácie na pracovisku, nad ktorými nemáme kontrolu. Toto náradie môže v prípade jeho nesprávneho používania spôsobiť syndrómy – podmienené vibráciami - v ramene a ruke. Smernicu EU o vibráciách pôsobiacich na rameno a ruku možno nájsť na http://www.pneurop.eu/uploads/documents/pdf/PN3-02-NV_Declaration_info_sheet_0111.pdf

Odporúčame preventívnu kontrolu zdravotného stavu na detekciu včasných príznakov v dôsledku zaťaženia vibráciami, aby bolo možné upraviť postupy, ktoré by zabránili výskytu ťažkostí v budúcnosti.

Doplňujúca informácia o vibráciách

Na hrubé určenie denného zaťaženia vibráciami nájdete užitočné informácie v CEN/TR 15350: 2006, "Mechanické vibrácie – smernica na určenie zaťaženia vibráciami prenášanými do rúk, s použitím dostupných informácií spolu s informáciami poskytnutými výrobcami strojov."

REŽIM OPERÁCIE

Nástroj môže byť použitý ako prenosný alebo byť pripojený napevno ku stroji.

Prenosný nástroj

- Pripevnite na nástroj zodpovedajúce upevňovacie zariadenie a potom ho pripojte pomocou kontrolného zariadenia do elektrickej siete.
- Držte nástroj za rúčku a priložte ho ku uzáveru, ktorý je potrebné pritiahnuť.
- Stlačte páčku, aby ste zariadenie spustili.
- Zariadenie sa zastaví, keď sa dosiahne prednastavený krútiaci moment.
- Na každú sekundu prevádzky musí motor 3 sekundy stáť.
- Nedodržanie môže spôsobiť prehriatie motora a eventuálne aj jeho poškodenie.
- Bude to považované za nesprávny spôsob použitia a v tom prípade sa na to nevzťahuje záruka.

Keďže reakčná sila nástroja sa zvyšuje priamo úmerne jeho krútiacemu momentu ut'ahovania, je potrebné sa presvedčiť, že nástroj je vo vynikajúcom stave a že kontrolné zariadenie je správne naprogramované, čím sa zníži riziko poranenia operátora následkom neočakávaného správania sa nástroja.

Ovládanie a software

Napájanie spôsobom ESP C LT, ESP C, ESP CA LT, ESP CA, v závislosti od modelu.

MAZANIE



Nepoužívajte príliš mnoho mazadla na prevody a ložiská; tenká vrstva bude stačiť. Použite minimálne množstvo mazadla pre ľahšiu identifikáciu komponentov pri montáži.

NÁSTROJE

- Žiadne špecifické nástroje.

MONTÁŽ A DEMONTÁŽ

Riadte sa štandardnými strojárskými predpismi a naštudujte diagram pre upevnenie podmontážnych jednotiek jednotlivých komponentov.

NÁVOD NA ÚDRŽBU

Údržbu môže vykonávať iba kvalifikovaný personál.

- Pred začatím údržby: odpojte nástroj.
- Počas demontáže/montáže nástroja dodržiavajte nasledujúce ochranné opatrenia:
 - Skontrolujte, či je kontrolné zariadenie vypnuté.
 - Odpojte kábel.



Pri odstraňovaní súčiastok, mazív, atď... dbajte na dodržiavanie zodpovedajúcich bezpečnostných predpisov.

Tento produkt musí byť v súlade s vyhláškou č. 2002/96/CE o nakladaní s elektrozariadeniami a s elektroodpadom (WEEE) recyklovaný.

Kontaktujte zákaznícky servis alebo navštívte našu webstránku „www. cp.com“, kde nájdete informácie o tom, kde tento produkt recyklovať.

ZÁRUKA FIRMY DESOUTTER

1. Tento výrobok firmy Desoutter je v záruke voči chybné výroby alebo materiálom na maximálnu dobu 12 mesiacov od dátumu nákupu od firmy Desoutter alebo jej agentov za predpokladu, že jeho použitie je obmedzené na jednu prevádzkovú smenu v priebehu tejto lehoty. Ak frekvencia použitia presiahne jednu prevádzkovú smenu záručná lehota výrobku bude primerane skrátená.
2. Ak na výrobku dôjde v priebehu záručnej lehoty k poruche, vyplývajúcej chybné výroby alebo chybného materiálu, výrobok vráťte firme Desoutter alebo do jej zastupiteľskej predajne spolu s krátkym popisom poruchy. Firma Desoutter na základe vlastného uváženia zabezpečí opravu alebo bezplatnú výmenu tých výrobkov, u ktorých boli poruchy spôsobené chybnou výrobou alebo materiálom.
3. Táto záruka sa nevzťahuje na výrobky, s ktorými sa nesprávne zaobchádzalo, ktoré boli nesprávne použité alebo modifikované, pri oprave ktorých neboli použité originálne súčiastky firmy Desoutter, alebo ktoré neboli opravené firmou Desoutter, či jej oprávneným servisným strediskom.
4. Ak oprava poruchy spôsobenej nesprávnym zaobchádzaním, nesprávnym použitím alebo neoprávnenou modifikáciou spôsobí firme Desoutter náklady, bude firma Desoutter vyžadovať úplnú úhradu týchto nákladov.
5. Firma Desoutter neprijíma žiadne nároky na náklady spojené s vynaloženou prácou alebo na náklady vynaložené na chybné výrobky.
6. Akékoľvek priame, náhodné alebo následné škody vyplývajúce z akejkoľvek poruchy sú výslovne vylúčené.
7. Táto záruka sa vydáva namiesto všetkých ostatných záruk, alebo podmienok vyjadrených alebo naznačených vo vzťahu ku kvalite, predaju alebo vhodnosti pre akýkoľvek určitý účel.
8. Žiaden zástupca, ani zamestnanec firmy Desoutter, nie je oprávnený akýmkoľvek spôsobom dopĺňovať alebo modifikovať podmienky tejto obmedzenej záruky.

Originalna navodila.

© COPYRIGHT 2015, DESOUTTER HP2 7SJ UK

Vse pravice pridržane. Vsakršna nepooblaščen uporaba ali razmonoževanje celote ali dela tega dokumenta je prepovedana. Prepoved se še posebej nanaša na blagovne znamke, imena modelov, številke sestavnih delov in risbe. Uporabljati je dovoljeno le rezervne dele pooblaščenih prodajalcev. Vsaka poškodba ali napaka pri delovanju, ki je posledica uporabe neavtoriziranih sestavnih delov, izključuje veljavnost garancijskih pogojev!

IZJAVA ZA UPORABO

Orodje (razred I) je primerno samo za industrijsko okolje.

Ta se mora uporabljati za privijanje ali odvijanje vezi v lesenem, kovinskem ali plastičnem materialu.

Nobena druga uporaba ni dovoljena.

Samo za obrtniško uporabo.

PODATKI

(Glejte stran 4).

Raven hrupa: < 70 dB(A) (EN 60 745).

Raven treslajev < 2.5 m/s² (EN 60 745).

Deklaracija o hrupu in vibracijah

Vse vrednosti veljajo kot tekoče od datuma te izdaje. Za najnovejše informacije obiščite stran desouttertools.com.

Te navedene vrednosti so bile pridobljene z laboratorijskim testiranjem v skladu z navedenimi standardi in niso zadostne za uporabo pri oceni rizika. Vrednosti, izmerjene v posameznih delovnih prostorih, so lahko višje od navedenih vrednosti. Dejanske vrednosti izpostave in nevarnost za poškodbe, ki jih izkusi posamezen uporabnik, so edinstvene in odvisne od načina, na katerega posameznik dela, obdelovanega kosa in zasnove delovne postaje; pa tudi od trajanja izpostavljenosti in telesnega stanja uporabnika. Mi, Desoutter, ne moremo biti odgovorni za posledice uporabe navedenih vrednosti namesto vrednosti, ki odražajo dejansko izpostavljenost, v oceni individualnega rizika na delovnem mestu, nad katerim nimamo nobene kontrole. To orodje lahko ob neprimerni uporabi povzroči vibracijsko bolezen v dlaneh in rokah. Vodič EU za obvladovanje vibracij v dlaneh in rokah najdete na http://www.pneurop.eu/uploads/documents/pdf/PN3-02-NV_Declaration_info_sheet_0111.pdf

Priporočamo program zdravstvenega nadzora za zgodnje odkrivanje simptomov, povezanih z izpostavljenostjo vibracijam, da se lahko z

ustreznimi organizacijskimi ukrepi preprečijo nadaljnje poškodbe.

Dodatne informacije o vibracijah

Za grobo oceno dnevne izpostavljenosti vibracijam najdete koristne informacije v CEN/TR 15350: 2006, "Mehanske vibracije – vodič za oceno izpostavljenosti vibracij, ki se prenašajo prek dlani, s pomočjo razpoložljivih informacij, vključno s tistimi, ki jih zagotovi proizvajalec strojev."

OBRATOVANJE

Orodje je mogoče uporabljati ročno ali pritrjeno na drugo orodje.

Ročno orodje

- Opremite orodje z ustrezno dodatno opremo in ga nato priključite na elektriko preko krmilne enote.
- Držite orodje z ročajem in ga uporabite za zategovanje vijakov.
- Pritisnite ročico za zagon orodja.
- Orodje se zaustavi, ko je dosežen zadani nivo.
- Za vsako naslednjo operacijo moramo počakati 3 sekunde, da se motor aktivira.
- Če ne ravnate na zgoraj navedeni način, se lahko motor pregreje in poškoduje.
- Takšno ravnanje je nestrokovno in v takšnem primeru garancija ne velja.

Ker se reakcijska sila povečuje v sorazmerju s priteznim navorom, za odpravljanje nevarnosti poškodb uporabniku zaradi nepričakovanega obnašanja orodja, se prepričajte, da je orodje v dobrem delovnem stanju in je krmilna enota pravilno programirana.

Nadzor in programska oprema

Električno napajanje: ESP C LT, ESP C, ESP CA LT, ESP CA, odvisno od modela.

MAZANJE



Zobnikov in ležajev ne oljite preveč; zadostuje tanka oljna obloga. Naoljite le minimalno, da bi lažje prepoznali komponente med sestavljanjem.

ORODJA

- Ni posebnih orodij.

SESTAVLJANJE IN RAZSTAVLJANJE

Upošteвайте standardno inženirsko prakso in glejte sliko za sestavljanje komponente podsklopov.

NAVODILA ZA VZDRŽEVANJE

Vzdrževanje lahko opravlja samo kvalifi cirana oseba.

- Pred vsakim vzdrževalnim delom: Izklopite orodja.
- Za razstavljanje / sestavljanje orodja, upoštevajte naslednje varnostne ukrepe:
 - Preverite, če je krmilna enota izklopljena,
 - izvlecite vtikač iz vtičnice.



Pri odstranjevanju komponent, mazil itd. se prepričajte, ali so upoštevana ustrezna varnostna pravila.

Skladno z Direktivo o odpadni električni in elektronski opremi 2002/96/ES (Waste Electrical and Electronic Equipment - WEEE), je ta izdelek možno reciklirati.

O tem, kje lahko reciklirate vaš izdelek, lahko izveste pri "Centru za pomoč kupcem", ali obiščete spletno stran "www.cp.com".

DESOUTTER-JEVA GARANCIJA

1. Ta Desoutter-jev izdelek ima garancijo na pomanjkljivo delo ali materiale za največ 12 mesecev od dne nakupa pri Desoutter-ju ali naših predstavnikih, če je uporaba omejena na eno izmeno za celotno obdobje delovanja. Če uporaba preseže eno izmeno, bo doba garancije sorazmerno skrajšana.
2. Če se med garancijsko dobo izdelek pokaže kot pomanjkljiv v smislu izdelave ali materialov, ga je treba vrniti Desoutter-ju ali našim zastopnikom, skupaj s kratkim opisom domnevne pomanjkljivosti. Desoutter bo, po lastni presoji, uredil popravilo ali zamenjavo tistih izdelkov, ki se bodo izkazali kot nezadostni v smislu pomanjkljive izdelave ali materialov.
3. Ta garancija neha veljati za izdelke, s katerimi se je neprimerno ali napačno ravnalo ali so bili predelani oziroma popravljeni z rezervnimi deli, ki niso originalni Desoutter-jevi rezervni deli, oziroma jih je popravil nekdo, ki ni od Desoutter-ja ani njegov pooblaščen servisni zastopnik.
4. Če bo imel Desoutter stroške z odpravljanjem pomanjkljivosti, ki so posledica neustrezne ali napačne uporabe ali nepooblaščen predelave, bo zahteval, da so vsi stroški v celoti kriti.
5. Desoutter ne sprejema nikakršnih zahtev po delu ali drugih vlaganjih v pomanjkljive izdelke.
6. Vsaka direktna, naključna ali posledična odškodnina, do katere bi prišlo zaradi kakršne koli pomanjkljivosti, je eksplicitno izključena.
7. Ta garancija se izdaja namesto vseh drugih garancij ali pogojev, eksplicitno zapisanih ali mišljenih, glede kvalitete, prodajnosti ali primernosti za kateri koli posebni namen.
8. Nihče, naj bo zastopnik, serviser ali uslužbenec Desoutter-ja, ni pooblaščen, da bi na kakršen koli način dodajal ali spreminjal pogoje te omejene garancije.

Originali instrukcija.

© COPYRIGHT 2015, DESOUTTER HP2 7SJ UK

Visos teisės saugomos. Šį tekstą arba jo dalį naudoti arba kopijuoti negavus leidimo draudžiama. Tai taikoma prekyženklams, modelio pavadinimui, dalių numeriams ir brėžiniams. Naudokite tik tas dalis, kurios yra patvirtintos. Jeigu žala arba gedimas atsiranda naudojant nepatvirtintas dalis, garantija arba atsakomybė dėl gaminio netaikoma.

NAUDOJIMO DEKLARACIJA

Įrankis (I klasė) tinkamas naudoti tik pramoninėje aplinkoje.

Jis gali būti naudojamas tik medinėms, metalinėms arba plastiko jungtims suveržti arba atlaisvinti.

Kitiems tikslams naudoti draudžiama.

Skirta tik profesionalams.

DUOMENYS

(Žr. 4 puslapyje).

Triukšmo lygis: < 70 dB(A) (EN 60 745).

Vibracijos lygis: < 2.5 m/s² (EN 60 745).

Triukšmo ir virpesių deklaracija

Visos pateiktos vertės galioja leidinio išleidimo metu. Naujausios informacijos ieškokite adresu: desouttertools.com.

Šios deklaruotos vertės buvo gautos laboratorinio tipo testavimo metu pagal nustatytus standartus ir nėra tinkamos naudoti rizikingiems vertinimams. Vertės išmatuotos asmeninėse darbo vietose gali būti didesnės nei deklaruotos vertės. Tikrosios keliamos rizikos vertės ir žalos pavojus patirtas atskiro vartotojo yra unikalus ir priklauso nuo to, kaip vartotojas dirba, atliekamo darbo ir darbo vietos konstrukcijos taip pat poveikio laiko ir fizinės vartotojo būklės. „Desoutter“ neatsako už pasekmes naudojant deklaruotas vertes vietoj tikrąją keliamą riziką atitinkančių verčių, kai rizika vertinama tam tikroje darbo situacijoje, kurios mes nevaldome. Jei įrankis naudojamas netinkamai, jis gali sukelti plaštakos ir rankos vibracijos sindromą. Plaštakos ir rankos vibracijos valdymo ES vadovą galite rasti adresu http://www.pneurop.eu/uploads/documents/pdf/PN3-02-NV_Declaration_info_sheet_0111.pdf

Ankstyviems simptomams, kurie gali būti susiję su vibracijos ekspozicijomis, nustatyti ir valdymo procedūroms keisti taip, kad išvengtumėte pakenkimo ateityje, mes rekomenduojame sveikatos priežiūros programą.

Papildoma informacija apie vibraciją

Norėdami apytiksliai įvertinti kasdienės vibracijos ekspoziciją, naudingos informacijos galite rasti CEN/TR 15350: 2006 m. straipsnis, „Mechaninė vibracija – rekomendacijos dėl rankai perduodamos vibracijos ekspozicijoms įvertinimo, naudojant esamą informaciją, įskaitant mašinų gamintojo pateiktą informaciją“ (anglų k.).

NAUDOJIMAS

Įrankis gali būti nešiojamas arba naudojamas kaip prie įrankio pritvirtintas suktuvas.

Nešiojamas įrankis

- Pritaisykite prie įrankio tinkamą suveržimo priedą, po to prijunkite jį prie maitinimo per valdymo įtaisą.
- Laikykite įrankį už rankenos ir pridėkite prie suveržiamo tvirtinimo.
- Norėdami įjungti prietaisą nuspauskite svertą.
- Įrankis išsijungia, kai pasiekiamas nustatytas sūkis.
- Kaskart po panaudojimo turi būti daroma pertrauka, kurios trukmė apskaičiuojama variklio veikimo laiką dauginant iš trijų.
- Nesilaikant šio nurodymo variklis gali perkaisti ir net sugesti.
- Tai bus laikoma netinkamu naudojimu ir garantija nebegalios.

Kadangi veikimo jėga didėja proporcingai sukamo tvirtinimo priveržimui, įsitikinkite ar prietaisas yra puikios būklės ir ar valdymo įtaisas tinkamai užprogramuotas – taip sumažinsite bet kokio netikėto įrankio veikimo, galinčio sužaloti naudotoją.

Valdymas ir programinė įranga

Maitinimas per valdiklį ESP C LT, ESP C, ESP CA LT arba ESP CA, priklauso nuo įrankio modelio.

TEPIMAS



Pavarų ir guolių per gausiai netepkite. Pakanka plono sluoksnio. Surinkdami įrankį, tepkite labai mažai tepalo, kad lengviau atpažintumėte sudėtines dalis.

ĮRANKIAI

- Specialių įrankių nereikia.

SURINKIMAS IR IŠARDYMAS

Laikykitės standartinių inžinerijos taisyklių ir žiūrėkite į paveikslėlį, kuriame nurodyta kaip surinkti paruoštas komponentus.

PRIEŽIŪROS INSTRUKCIJOS

Priežiūros darbus turi atlikti tik kvalifi kuoti darbuotojai.

- Prieš atliekant bet kokius priežiūros darbus: atjunkite įrankį.
- Ardydami / surinkdami įrankį imkitės šių saugumo priemonių:
 - patikrinkite, ar valdymo įtaisas yra išjungtas,
 - atjunkite kabelį.



Utilizuodami dalis, tepimo priemones ir kt., būtinai laikykitės jų utilizavimui taikomų saugos procedūrų.

Pagal Direktyvą 2002/96EB dėl Elektros ir elektroninės įrangos (EEI) atliekų, šis gaminys turi būti perdirbtas.

Norėdami sužinoti kur galite perdirbti šį gaminį, susisiekite su savo „Klientų aptarnavimo centru“ arba apsilankykite tinklalapyje „www.cp.com“.

DESOUTTER GARANTIJA

1. Šis Desoutter produktas turi surinkimo ir medžiagų broko garantiją 12 mėnesių laikotarpiui nuo įsigijimo iš Desoutter arba bendrovės agentų dienos, su sąlyga, kad naudojimas yra apribotas vienos pamainos naudojimui. Jei naudojimas viršija vieną pamainą, garantijos laikotarpis bus proporciškai trumpesnis.
2. Jei garantijos laikotarpiu paaiškėja, kad produktas turi medžiagų arba surinkimo kokybės broką, jis turi būti gražintas bendrovei Desoutter arba jos agentams, kartu su trumpu įtariamo defekto aprašymu. Bendrovė Desoutter savo nuožiūra organizuos prekės nemokamą taisymą arba pakeitimą, kurie, bendrovės nuožiūra, yra brokuoti dėl surinkimo kokybės arba medžiagų broko.
3. Ši garantija negalioja produktams, kurie buvo netinkamai naudojami, kuriais buvo piktnaudžiuojama arba kurie buvo modifikuoti, arba kurie buvo taisomi naudojant kitokias detales, negu tikros Desoutter atsarginės dalys arba taisomi ne bendrovės įgaliotų aptarnavimo agentų.
4. Jei bendrovė Desoutter turės kokių nors išlaidų, susijusių su defektų taisymu, ir tie defektai kilo dėl neteisingo naudojimo, piktnaudžiavimo, atsitiktinio sugadinimo arba neleistino modifikavimo, bendrovė reikalaus pilnai atlyginti tokias išlaidas.
5. Bendrovė Desoutter nepriims pretenzijų, susijusių su darbo jėgos ir kitokiomis išlaidomis, susijusiomis su brokuotais produktais.
6. Bet kurie tiesioginiai, atsitiktiniai arba pasekmiai nuostoliai, kylantys iš bet kokio broko, nėra apimami šios garantijos.
7. Ši garantija yra suteikiama pakeičiant visas kitas garantijas ar sąlygas, numatytas tiesiogiai arba išvestiniu būdu, kiek tai susiję su kokybe, tinkamumu pardavimui arba tinkamumu kokiam nors konkrečiam tikslui.
8. Niekas – nepriklausomai nuo to, ar tai yra bendrovės Desoutter agentas, tarnautojas ar darbuotojas – neturi teisės modifikuoti šios ribotos garantijos sąlygų arba ką nors prie jų pridėti.

Оригинальная инструкция по эксплуатации.

© COPYRIGHT 2015, DESOUTTER HP2 7SJ UK

Все права защищены. Любое незаконное использование или воспроизведение, полное или частичное, запрещены. Это относится, в частности, к зарегистрированным товарным знакам, наименованиям моделей, номерам деталей и схем. Использовать исключительно разрешенные детали. Гарантия продукта не распространяется на любые убытки или ненадлежащее функционирование, вызванные использованием не разрешенной детали, в данном случае производитель не будет нести ответственности.

ДЕКЛАРАЦИЯ ИСПОЛЬЗОВАНИЯ

Инструмент (класс I) предназначен для применения только в промышленной среде.

Он должен использоваться только для завинчивания или отвинчивания винтов в дереве, металле и пластмассовых материалах.

Любое иное применение не допускается.

Только для профессионального использования.

ДАННЫЕ

(См стр 4).

Уровень шума : < 70 dB(A). (EN 60 745)

Колесательный уровень : < 2,5 м/сl. (EN 60745).

Заявленные шумовые и вибрационные характеристики

Все значения являются действительными на дату настоящей публикации. Для получения дальнейшей информации посетите веб-сайт desouttertools.com.

Эти заявленные параметры были получены при испытаниях, проведенных в лабораторных условиях и соответствующих указанным стандартам, и недостаточны для использования в оценках риска. Параметры, измеренные на индивидуальных рабочих местах, могут иметь более высокие значения по сравнению с заявленными значениями. Фактические параметры воздействия и риск причинения вреда отдельным лицам носят индивидуальный характер и зависят от приемов работы, обрабатываемой заготовки и особенностей рабочего места, также от длительности воздействия и физического состояния пользователя. Наша компания, Desoutter, не может нести ответственность за последствия использования заявленных параметров, а не параметров, отражающих фактическое воздействие, в оценке

риска в ситуации, которая создается на индивидуальном рабочем месте и которая находится вне нашего контроля. При неправильной работе с этим инструментом он может вызвать вибрационный синдром рук/кистей. Рекомендации EU по вибрационному синдрому рук/кистей можно найти здесь:

http://www.pneurop.eu/uploads/documents/pdf/PN3-02-NV_Declaration_info_sheet_0111.pdf

Мы рекомендуем программу контроля за здоровьем, которая обеспечивает раннее обнаружение симптомов вредного воздействия вибрации и позволяет своевременно пересмотреть процедуру обслуживания, чтобы предотвратить дальнейшее ухудшение.

Дополнительная информация по вибрации

Полезную информацию по примерной оценке ежедневного воздействия вибрации можно найти в CEN/TR 15350: 2006, "Механическая вибрация. Руководство по оценке воздействия вибрации, передающейся на руку, с использованием доступной информации, включая ту, которая предусмотрена производителями машин и механизмов".

ИСПОЛЬЗОВАНИЕ

Данное устройство может использоваться в качестве ручного инструмента, а также в качестве стационарного инструмента с неподвижным шпинделем.

Использование в качестве ручного инструмента

- Оборудовать инструмент соответствующим аксессуаром для завинчивания, затем подключить к сети при помощи контрольного устройства.
- Держать инструмент за ручку и приложить его к креплению, которое необходимо завинтить.
- Для пуска устройства нажать рычаг.
- Остановка инструмента произойдет после достижения установленного усилия свинчивания.
- Продолжительность охлаждения двигателя должна втрое превышать продолжительность работы.
- В противном случае возможен перегрев двигателя и его выход из строя.
- Данная неисправность будет рассматриваться как возникшая вследствие неправильной эксплуатации устройства, и ее устранение не будет производиться в рамках гарантийных обязательств производителя.

Так как реактивная сила увеличивается пропорционально усилию свинчивания, убедитесь, что прибор находится в хорошем рабочем состоянии, и что блок управления запрограммирован надлежащим образом во избежание риска нанесения телесных повреждений оператору.

Управление и программное обеспечение

Питание устройств осуществляется от регуляторов ESP C LT, ESP C, ESP CA LT, ESP CA, выбираемых в зависимости от модели устройства.

СМАЗКА



Не наносите на подшипники или шестерни излишнее количество смазки, тонкого слоя будет достаточно. Нанесите минимальное количество смазки на детали, это облегчит их идентификацию при сборке.

ИНСТРУМЕНТЫ

- Специальные инструменты не требуются.

СБОРКА И РАЗБОРКА

Соблюдать обычные инженерные приемы и, обратившись к рисунку, произвести монтаж блоков компонентов.

УКАЗАНИЯ ПО ТЕХНИЧЕСКОМУ ОБСЛУЖИВАНИЮ

Операции по техническому обслуживанию должны проводиться только квалифицированным персоналом.

- До проведения каких бы то ни было операций по техническому обслуживанию : отключить инструмент.
- Во время демонтажа и повторного монтажа инструмента : принимать следующие меры предосторожности :
 - Проверить, что от блока отключено напряжение,
 - Отсоединить кабель.



При удалении компонентов, смазочного материала и т.д. убедитесь в соблюдении порядка техники безопасности.

В соответствии с директивой 2002/96/CE по отходам электрического и электронного оборудования (WEEE), данный продукт должен быть подвергнут переработке в целях повторного использования. Свяжитесь с Отделом по работе с клиентами или ознакомьтесь с сайтом "www.cr.cop" для получения информации относительно мест сбора указанного продукта в целях его переработки.

ГАРАНТИЯ ФИРМЫ DESOUTTER

1. Настоящее изделие Desoutter гарантировано от дефектов изготовления и материалов в течение периода не более 12 месяцев с даты приобретения у фирмы Desoutter или её агентов, при условии, что его эксплуатация в течение всего этого периода была ограничена работой в одну смену. В случае, если интенсивность эксплуатации превышала односменную, гарантийный период будет сокращен пропорционально.
2. Если в течение гарантийного периода в изделии будет обнаружен дефект изготовления или материалов, оно должно быть возвращено на фирму Desoutter или её агентам, вместе с кратким описанием подозреваемого дефекта. Desoutter, по её усмотрению, либо организует ремонт либо бесплатную замену тех частей, которые признаны неисправными по причине дефектов изготовления или материалов.
3. Настоящая гарантия перестает действовать в отношении изделий, которые неправильно эксплуатировались или использовались не по назначению или модифицированы или были отремонтированы с использованием запчастей, не являющихся подлинными запчастями производства Desoutter, или отремонтированы кем-либо, кроме самой фирмы Desoutter или санкционированных ею агентов по обслуживанию.
4. В случае, если Desoutter понесет расходы по исправлению дефектов, возникших в результате неправильной эксплуатации или использованию не по назначению или в результате случайного повреждения или несанкционированной модификации, фирма потребует от клиента полного возмещения расходов.
5. Desoutter не принимает требования о возмещении расходов на рабочую силу или других расходов, понесенных в отношении дефектных изделий.
6. Любые прямые, случайные или косвенные убытки, понесенные в результате любых последствий любого дефекта, настоящим явным образом исключаются из гарантийных обязательств.
7. Настоящая гарантия дана взамен всех остальных гарантий или условий, явных или подразумеваемых, в отношении качества, годности для продажи или пригодности к какой-либо конкретной цели использования.
8. Никто, будь то агент, служащий или наемный работник фирмы Desoutter, не уполномочен никоим образом добавлять или видоизменять условия и установления настоящей ограниченной гарантии.

DEUTSCH (GERMAN)

(1) EG-KONFORMITÄTSERKLÄRUNG - (2) Wir, **DESOUTTER** - (3) Technische Datei beim EU - (4) erklären hiermit, daß das (die) Produkt(e) : Drehschrauber - (5) Typ(en) : - (6) Produktherkunft - (7) den Anforderungen der EG-Richtlinie zur Angleichung der Rechtsvorschriften der Mitgliedsstaaten - (8) für "**Maschinen**" **2006/42/EG** (17/05/06) - (9) für "**Elektromagnetische Störfreiheit**" **2004/108/EG** (15/12/04) - (10) für "**Niederspannung**" **2006/95/EG** (12/12/06) - entspricht (entsprechen). -(11) geltende harmonisierte Norme(n) - (12) NAME und EIGENSCHAFT des Ausstellers : - (13) Datum : - (14) für "**Beschränkung der Verwendung bestimmter gefährlicher Stoffe in Elektro- und Elektronikgeräten**" **2011/65/EG** (08/06/11)

NEDERLANDS (DUTCH)

(1) E.G.-VERKLARING VAN OVEREENSTEMMING - (2) De firma : **DESOUTTER** -(3) Technisch bestand verkrijgbaar - (4) verklaart hierbij dat het (de) produkt(en) : Schroevendraais - (5) type : - (6) Herkomst van het product - (7) in overeenstemming is (zijn) met de vereisten van de richtlijn van de Raad inzake de onderlinge aanpassing van de wetgevingen van de lidstaten betreffende : (8) "**machines**" **2006/42/CEE** (17/05/06) - (9) "**elektromagnetische compatibiliteit**" " **2004/108/EG** (15/12/04) - (10) "**laagspanning**" **2006/95/EG** (12/12/06) - (11) geldige geharmoniseerde norm(en) - (12) NAAM en FUNCTIE van de opsteller : - (13) Datum - (14) "**Betreffende beperking van het gebruik van bepaalde gevaarlijke stoffen in elektrische en elektronische apparatuur**" **2011/65/EG** (08/06/11)

SVENSKA (SWEDISH)

(1) EG-DEKLARATION OM ÖVERENSSTÄMMELSE - (2) Vi **DESOUTTER** -(3) Teknisk fil tillgänglig från - (4) Förklarar att maskinen : Skruvmejslar - (5) Maskintyp : - (6) Produktens ursprung - (7) För vilken denna deklARATION gäller, överensstämmer med kraven i Ministerrådets direktiv om harmonisering av medlemsstaternas lagar rörande - (8) "**maskiner**" **2006/42/EEG** (17/05/06) - (9) "**elektromagnetisk kompatibilitet**" " **2004/108/EEG** (15/12/04) - (10) "**lågspänning**" **2006/95/EEG** (12/12/06) - (11) Harmoniserade standarder som tillämpats : - (12) Utfärdarens namn och befattning : - (13) Datum : - (14) "**Begränsning av användning av vissa farliga ämnen i elektrisk och elektronisk utrustning**" **2011/65/EEG** (08/06/11)

NORSK (NORWEGIAN)

(1) EF ERKLÆRING OM OVERENSSTEMMELSE - (2) Vi **DESOUTTER** -(3) Teknisk dokument tilgjengelig (4) Erklærer at produktet/produktene : Skrutekkere - (5) av type : - (6) Produktets opprinnelse - (7) er i overensstemmelse med de krav som finnes i Ministerrådets direktiver om tilnærming av Medlemsstatenes lover vedrørende : - (8) "**maskiner**" **2006/42/EF** (17/05/06) - (9) "**elektromagnetisk kompatibilitet**" " **2004/108/EF** (15/12/04) - (10) "**lavspenning**" **2006/95/EF** (12/12/06) - (11) Harmoniserende standarder som er anvendt : - (12) Utsteders navn og stilling : - (13) Dato : - (14) "**2011/65/EF** (08/06/11)

DANSK (DANISH)

(1) EF OVERENSSTEMMELSESERKLÆRING - (2) Vi **DESOUTTER** -(3) Teknisk dokument kan fås på - (4) Erklærer at produktet(erne) : Skruemaskiner - (5) type : - (6) Produktets oprindelse - (7) er i overensstemmelse med kravene i Rådets Direktiv vedr. tilnærmelse mellem medlemslandenes love for - (8) "**maskiner**" **2006/42/EF** (17/05/06) - (9) "**elektromagnetisk kompatibilitet**" " **2004/108/EF** (15/12/04) - (10) "**lavspænding**" **2006/95/EF** (12/12/06) - (11) Gældende harmoniserede standarder : - (12) Udsteders navn og stilling : - (13) Dato - (14) "**Begrænsning af anvendelsen af visse farlige stoffer i elektrisk og elektronisk udstyr**" **2011/65/EF** (08/06/11)

SUOMI (FINNISH)

(1) ILMOITUS YHDENNUKAISUDESTA EY - (2) Me Toimintini **DESOUTTER** -(3) Tekniset tiedot saa EU:n - (4) vakuuttamme, ette tuote / tuotteet : Ruuvitalat - (5) tyypit(pit) : - (6) Tekniset tiedot saa EU:n - (7) on / ovat yhdenmukainen(-sia) neuvoston jäsenmaitten läisäändästä koskevien direktiivien vaatimusten kanssa, jotka koskevat : - (8) "**koneita**" **2006/42/EY** (17/05/06) - (9) "**elektromagneettista yhteensopivuutta**" " **2004/108/EY** (15/12/04) - (10) "**matalajännitteitä**" **2006/95/EY** (12/12/06) - (11) yhdenmukaistettu(-tut) soveltuva(t) standardi(t) : - (12) ilmoituksen antajan NIMI ja ASEMA - (13) Päiväys - (14) "**Tiettyjen vaarallisten aineiden käytön rajoittamisesta sähkö- ja elektroniikkalaitteissa**" **2011/65/EY** (08/06/11)

ESPAÑOL (SPANISH)

(1) DECLARACION DE CONFORMIDAD CE - (2) Nosotros **DESOUTTER** -(3) Archivo técnico disponible en - (4) declaramos que el producto : Destornilladores - (5) tipo de máquina : - (6) Origen del producto - (7) es conforme a los requisitos de la Directiva del Consejo sobre la aproximación de las leyes de los Estados Miembros con relación - (8) a la "**maquinaria**" **2006/42/CE** (17/05/06) - (9) a la "**compatibilidad electromecánica**" " **2004/108/CE** (15/12/04) - (10) a la "**baja tensión**" **2006/95/CE** (12/12/06) - (11) normas armonizadas aplicadas : - (12) Nombre y cargo del expedidor : - (13) Fecha - (14) "**Restricciones a la utilización de determinadas sustancias peligrosas en aparatos eléctricos y electrónicos**" **2011/65/CE** (08/06/11)

PORTUGUÊS (PORTUGUESE)

(1) DECLARAÇÃO DE CONFORMIDADE CE - (2) Nós **DESOUTTER** -(3) Ficheiro técnico disponível na - (4) declaramos que o produto: Parafusadeiras - (5) tipo de máquina : - (6) Origem do produto - (7) está em conformidade com os requisitos da Directiva do Conselho, referente às legislações dos Estados-membros relacionados com: - (8) "**maquinaria**" **2006/42/CE** (17/05/06) - (9) "**compatibilidade electromagnética**" " **2004/108/CE** (15/12/04) - (10) "**baixa tensão**" **2006/95/CE** (12/12/06) - (11) Normas harmonizadas aplicáveis - (12) Nome e cargo do emissor : - (13) Data : - (14) "**Restrição do uso de determinadas substâncias perigosas em equipamentos eléctricos e electrónicos**" **2011/65/CE** (08/06/11)

ITALIANO (ITALIAN)

(1) DICHIARAZIONE DI CONFORMITÀ CE - (2) La Società : **DESOUTTER** -(3) File tecnico disponibile dal - (4) dichiara che il(i) prodotto(i) : Cacciaviti - (5) tipo : - (6) Origine del prodotto -(7) è (sono) in conformità con le esigenze previste dalla Direttiva del Consiglio, sulle legislazioni degli Stati membri relative : - (8) alle "**macchine**" **2006/42/CE** (17/05/06) - (9) alla "**compatibilità elettromagnetica**" " **2004/108/CE** (15/12/04) - (10) alla "**bassa tensione**" **2006/95/CE** (12/12/06) - (11) norma(e) armonizzata(e) applicabile(i) : - (12) NOME e FUNZIONE del dichiarante - (13) Data - (14) "**Restrizione dell'uso di determinate sostanze pericolose nelle apparecchiature elettriche ed elettroniche**" **2011/65/CE** (08/06/11)

ΕΛΛΗΝΙΚΑ (GREEK)

(1) ΔΗΛΩΣΗ ΠΙΣΤΟΤΗΤΑΣ ΕΚ - (2) Η εταιρεία : **DESOUTTER** -(3) Τεχνικός φάκελος διαθέσιμος - (4) δηλώνει υπεύθυνα ότι το(τα) προϊόν(-τα) : κατασβίδη - (5) τύπου(-ων) : - (6) Προέλευση προϊόντος - (7) είναι σύμφωνα(-α) προς τις απαιτήσεις της Οδηγίας του Συμβουλίου που αφορά την προσέγγιση των νομοθεσιών των κρατών μελών τις σχετικές με : - (8) τα "**μηχανήματα**" **2006/42/ΕΟΚ** (17/05/06) - (9) την "**ηλεκτρομαγνητική συμβατότητα**" " **2004/108/ΕΟΚ** (15/12/04) - (10) την "**χαμηλή τάση**" **2006/95/ΕΟΚ** (12/12/06) - (11) εφαρμοστέα(-α) ευρωπαϊκά(-α) πρότυπα(-α) : - (12) ΟΝΟΜΑ και ΑΡΜΟΔΙΟΤΗΤΑ του δηλούντος : - (13) Ημερομηνία - (14) "**για τον περιορισμό της χρήσης ορισμένων επικίνδυνων ουσιών σε ηλεκτρικοί και ηλεκτρονικοί εξοπλισμοί**" **2011/65/ΕΟΚ** (08/06/11)

ČESKY (CZECH)

(1) PROHLÁŠENÍ O SOULADU S PŘEDPISY ES - (2) My, firma **DESOUTTER** -(3) Technický soubor, dostupný - (4) prohlašujeme, že výrobek (výrobky) : Šroubováky - (5) typ přístroje (přístrojů) : - (6) Původ výrobku - (7) je v souladu s požadavky směrnice Rady EU o aproximaci práva členských států EU, a to v těchto oblastech : - (8) "**přístroje**" **2006/42/EC** (17/05/06) - (9) "**Elektromagnetická kompatibilita**" " **2004/108/EC** (15/12/04) - (10) "**Nízké napětí**" **2006/95/EC** (12/12/06) - (11) *relevantní harmonizované normy* : - (12) Jméno a funkce osoby, která prohlášení vystavila - (13) Datum - (14) "**omezení používání některých nebezpečných látek v elektrických a elektronických zařízeních**" **2011/65/EC** (08/06/11)

MAGYAR (HUNGARIAN)

(1) CE MEGFELELŐSÉGI NYILATKOZAT - (2) Mi, az: **DESOUTTER** -(3) A műszaki leírás az EU-s - (4) kijelentjük, hogy a termék(ek) : Csavarbehajtók : - (5) géptípus(ok) : - (6) A műszaki leírás az EU-s - (7) megfelel(nek) a tagországok törvényeiben megfogalmazott, alábbiakkal szereplő tanácsi irányelvek követelményeinek : - (8) "**Gépek, berendezések**" **2006/42/EC** (17/05/06) - (9) "**Elektromágneses kompatibilitás**" **2004/108/EC** (15/12/04) - (10) "**Alacsony feszültségű szabványok**" **2006/95/EC** (12/12/06) - (11)

alkalmazható harmonizált szabvány(ok): - (12) Kibocsátó neve és adatai - (13) Dátum: - (14) „egyes veszélyes anyagok elektromos és elektronikus berendezésekben való alkalmazásának korlátozásáról” 2011/65/EC (08/06/11)

LIETUVIŠKAI (LITHUANIAN)

(1) EB ATITIKTIES DEKLARACIJA - (2) Mes: **DESOUTTER** - (3) Techninius duomenis galite - (4) pareiškiamo, kad gaminyš (iai): Atsuktuvai - (5) mašinos tipas(-ai) - (6) Produkto kilmė - (7) atitinka Europos Tarybos Direktyvų reikalavimus dėl valstybių narių įstatymų, susijusių: - (8) su „mašinomis” 2006/42/EB (17/05/06) - (9) su „Elektromagnetinio suderinamumu” 2004/108/EB (15/12/04) - (10) su „Žema įtampa” 2006/95/EB (12/12/06), suderinimo - (11) *taikomi harmonizuoti standartai*: - (12) Išdavusio asmens pavardė ir pareigos - (13) Data - (14) „tam tikrų pavojingų medžiagų naudojimo elektros ir elektroninėje įrangoje apribojimo” 2011/65/EB (08/06/11)

SLOVENŠČINA (SLOVENIAN)

(1) IZJAVA ES O SKLADNOSTI - (2) Mi: **DESOUTTER** - (3) Tehnična kartoteka je na voljo - (4) izjavljamo, da je izdelek (oziroma izdelki): Izvijaci - (5) vrsta stroja (oziroma vrste): - (6) Izvor izdelka - (7) v skladu z zahtevami direktiv Sveta Evrope o približevanju zakonodaje držav članic glede: - (8) "strojev" 2006/42/ES (17/05/06) - (9) "Elektromagnetne združljivosti" 2004/108/ES (15/12/04) - (10) "Nizke napetosti" 2006/95/ES (12/12/06) - (11) *veljavnih harmoniziranih standardov*: - (12) Ime in funkcija izdajatelja - (13) Datum - (14) "omejevanju uporabe nekaterih nevarnih snovi v električni in elektronski opremi" 2011/65/ES (08/06/11)

POLSKI (POLISH)

(1) UE –DEKLARACJA ZGODNOŚCI - (2) My, firma **DESOUTTER** - (3) Plik techniczny jest dostępny w - (4) oświadczamy, że produkt (produkty): Srubokręty - (5) urządzenie typu (typów): - (6) Pochodzenie produktu - (7) jest (są) zgodne z wymogami Dyrektywy Rady, odpowiadającej ustawodawstwu krajów członkowskich i dotyczącej: - (8) "maszyn i urządzeń" 2006/42/UE (17/05/06) - (9) *Zgodności elektro-magnetycznej* 2004/108/UE (15/12/04) - (10) "niskich napięć" 2006/95/UE (12/12/06) - (11) *stosowanych norm, wzajemnie zgodnych*: - (12) Nazwisko i stanowisko wydającego deklarację: - (13) Data - (14) "sprawie ograniczenia stosowania niektórych niebezpiecznych substancji w sprzęcie elektrycznym i elektronicznym" 2011/65/UE (08/06/11)

SLOVENSKY (SLOVAK)

(1) DEKLARÁCIA ER O SÚHLASE - (2) My: **DESOUTTER** - (3) Technický súbor k dispozícii z - (4) prehlasujeme, že výrobok (y): Skrutkovače - (5) strojový typ(y): - (6) Pôvod produktu alebo výrobku - (7) zodpovedá požiadavkom Smerníc rady, týkajúcich sa aproximácie zákonov členských štátov, pre: - (8) "strojné zariadenia" 2006/42/EC (17/05/06) - (9) po "Elektromagnetickú kompatibilitu" 2004/108/EC (15/12/04) - (10) po "Nizke napätie" 2006/95/EC (12/12/06) - (11) *zodpovedajúce harmonizačné normy*: - (12) Meno a funkcia vystavovateľa dokladu - (13) Dátum - (14) "obmedzení používania určitých nebezpečných látok v elektrických a elektronických zariadeniach" 2011/65/EC (08/06/11)

LATVISKI (LATVIAN)

(1) EK ATBILSTĪBAS DEKLARĀCIJA - (2) Mēs, **kompānija DESOUTTER** - (3) Tehniskais fails pieejams ES - (4) deklarējam, ka šis (-ie) izstrādājums (-i): Skrūvgrīži - (5) ierīces tips (-i): - (6) Izstrādājuma izcelsme - (7) atbilst Padomes Direktīvu prasībām par dalībvalstu likumu piemērošanu, kas attiecas uz: - (8) "mehānismiem" 2006/42/EK (17/05/06) - (9) "elektromagnētisko savietojamību" 2004/108/EK (15/12/04) - (10) "zemspriegumu" 2006/95/EK (12/12/06) - (11) *spēkā esošajam (-iem) saskaņotajam (-iem) standartam (-iem)*: - (12) Pietieicēja vārds un amats - (13) Datums - (14) "dažu bīstamu vielu izmantošanas ierobežošanu elektriskās un elektroniskās iekārtās" 2011/65/EK (08/06/11)

中文 (CHINESE)

(1) EC 一致性声明 - (2) 我们: **DESOUTTER** - (3) 技术参数资料可以从EU总部获得。 - (4) 声明其产品: 螺丝刀 - (5) 机器类型: - (6) 产品原产地 - (7) 符合会员国立法会议“决定”的相关要求: - (8) "机械" 2006/42/EC (17/05/06) - (9) "电磁相容性" 2004/108/EC (15/12/04) - (10) "低电压" 2006/95/EC (12/12/06) - (11) *适用协调标准*: - (12) 发行者名称和地点 - (13) 日期 - (14) 2011/65/EC (08/06/11)

РУССКИЙ (RUSSIAN)

(1) DEKLARACIJA SOOTVETSTVIYA - (2) Мы: **DESOUTTER** - (3) Технический файл можно - (4) заявляем, что продукция: отвертки - (5) тип оборудования: - (6) Происхождение продукта - (7) соответствует требованиям директивы европейского совета относительно законодательств стран-участниц по: - (8) "Машиному оборудованию" 2006/42/EC (17/05/06) - (9) по "Электromagnитной совместимости" 2004/108/EC (15/12/04) - (10) по "Низкому напряжению" 2006/95/EC (12/12/06) - (11) *применяемые согласованные нормы*: - (12) Фамилия и должность составителя - (13) Дата - (14) 2011/65/EC (08/06/11)

(2) We :
(Fr) Nous

Desoutter Ltd
Zodiac – Unit 4
Boundary Way
Hemel Hempstead
Herts – UK
HP2 7SJ

(3) Technical file available from EU headquarter.
(Fr) Dossier technique disponible auprès du siège social

Nicolas Lebreton, R&D Manager
CP
38 rue Bobby Sands – BP 10273
44818 Saint Herblain – France

(4) declare that the product(s):
(Fr) déclarons que les produits

ELECTRIC SCREWDRIVER
VISSEUSE ELECTRIQUE

(5) Machine type(s) :
(Fr) type(s)

Reference (Référence)	Suitable controller (Coffret compatible)	Torque range (Plage de Couple) Nm	Rated speed (Vitesse nominale) Rpm (tr/min)
SLC030-L1200-C4Q	ESP C LT ESP CA LT	0.5 – 3	1200
SLC100-L600-C4Q	ESP C LT ESP CA LT	0.5 – 6	400
	ESP C ESP CA	2 – 10	600
SLC150-L320-C4Q	ESP C LT ESP CA LT	0.5 – 7	220
	ESP C ESP CA	2 – 15	320
SLC030-L1200-C90A4H	ESP C LT ESP CA LT	0.5 – 3	1200
SLC100-L600- C90A4H	ESP C LT ESP CA LT	0.5 – 6	220
	ESP C ESP CA	2 – 8	320

Box label : stick here
Coller l'étiquette ici

Voltage (Tension) : 40 V

(6) Origin of the product : Italy
(Fr) Origine du produit

(7) is in conformity with the requirements of the council Directives on the approximation of the laws of the Member States relating :
(Fr) est (sont) en conformité avec les exigences de la Directive du conseil, concernant les législations des états membres relatives :

(8) to **"Machinery" 2006/42/EC** (17/05/2006)
(Fr) aux **"Machines" 2006/42/CE** (17/05/2006)

(9) to **"Electromagnetic Compatibility" 2004/108/CE** (15/12/2004)
(Fr) à la **"Compatibilité électro-magnétique" 2004/108/CE** (15/12/2004)

(14) to **"The Restriction Of the use of certain Hazardous Substances in electrical and electronic equipment" 2011/65/CE** (08/06/2011)
(Fr) à la **"Limitation de l'utilisation de certaines substances dangereuses dans les équipements électriques et électroniques" 2011/65/CE** (08/06/2011)

(11) applicable harmonized standard(s) :
(Fr) Norme(s) harmonisée(s) applicable(s) :

EN 60745-2-2 :2010 EN 55014-1 :2006/A1 :2009 EN 55014-2 :1997/A2:2008
EN 61000-3-2 :2006/A1-A2 :2009 EN 61000-3-3 :2008 EN 61000-6-2 :2005

(12) NAME and POSITION of issuer :
(Fr) NOM et FONCTION de l'émetteur :

Nicolas LEBRETON
(R&D Manager)

(13) Place & date : Saint Herblain , 03/03/2015
(Fr) Place et date

